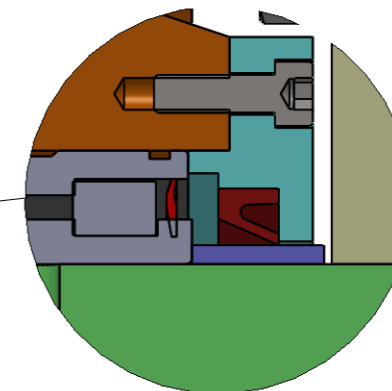
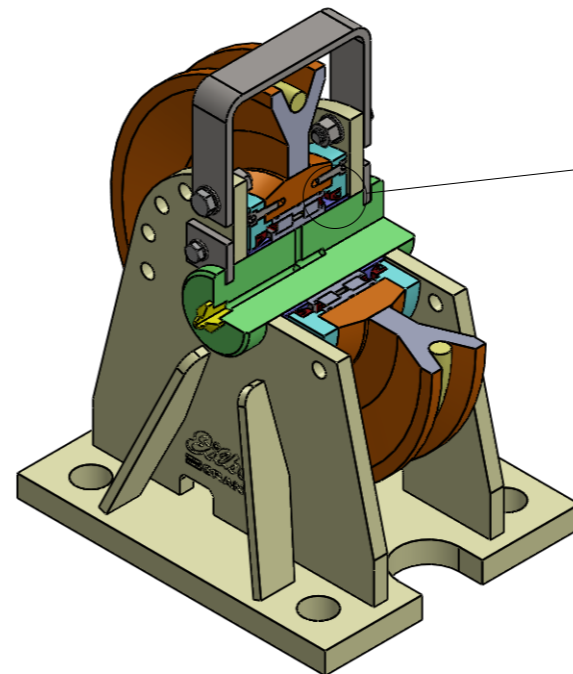
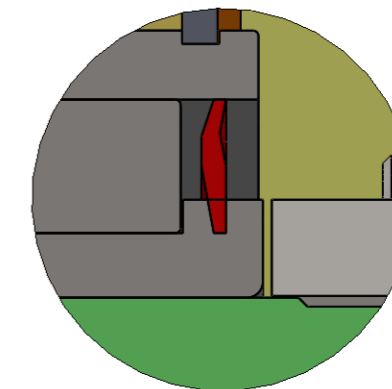


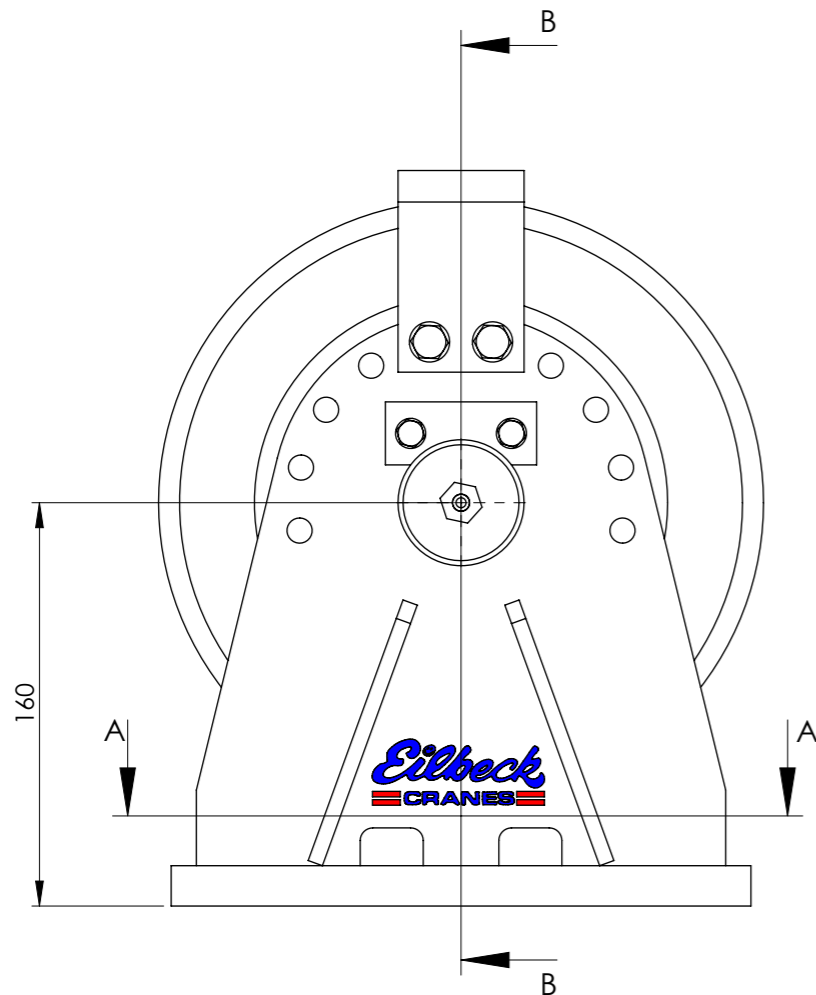
SECTION A-A



SHEAVE EQUIPED WITH SEAL ARRANGEMENT TYPE A WITH CYLINDRICAL BEARING SEALED AND V-RING SEAL FOR ADDITIONAL DIRT PROTECTION



SHEAVE EQUIPED WITH SEAL ARRANGEMENT TYPE B WITH CYLINDRICAL BEARING SEALED



SECTION B-B

ROPE DIA. [mm]	MAXIMUM MECHANISM CLASS	ROPE TENSION * [kN]
10	M5	20
12	M3	36
14	M2	53
16	M1	74

* ROPE TENSION IS BASED ON ROPE GRADE 1960 MPa LOWER MECHANISM CLASS INCREASES ROPE TENSION.

TECHNICAL DATA:

- SHEAVE CONFORM TO AS 1418.1, FEM1.001 AND DIN 15020. MECHANISM CLASS RANGE FROM M1 TO M8.
- ROPE GUARD, ONE OFF IS SUPPLIED AS STANDARD.
- SHEAVE MOUNTING BOLT SHALL BE GRADE 8.8
- FRAME MOUNTING WITH BASE PLATE IN COMPRESSION IS CONSIDERED FOR OTHER MOUNTING, PLEASE CONSULT EILBECK CRANES WINCH DIVISION.
- SHEAVE DESIGNS ARE AVAILABLE FOR LARGER ROPE DIAMETER.
- SHEAVE PIN GREASE NIPPLE SUPPLIED AS OPTIONAL.
- SURFACE FINISH: PAINTED, COLOUR Y14 - SAFETY YELLOW.
- ROPE GROOVE - HARDNESS : 200 - 250 HB
- SHEAVE FRAME WELDING TO AS 1554.1.SP
- SHAFT MATERIAL - BRIGHT STEEL.

FILE LOCATION: N:\Crad\6.SolidaWorks\Sheaves\Standard Sizes\Sheave GA\200A\ECs-200A-28-A-F200.sldprt

DESIGN REFERENCES			APPROVAL FOR CONSTRUCTION		THIS DRAWING IS CONFIDENTIAL AND IS THE PROPERTY OF EILBECK CRANES PTY LTD. AND MUST NOT BE COPIED, LENT OR DISCLOSED TO A THIRD PARTY WITHOUT THEIR WRITTEN CONSENT.	CLIENT: EILBECK CRANES PROJECT: STANDARD COMPONENTS EQUIPMENT ID: ---	DRAWING TITLE			SCALE: 1:8 SIZE: A3 DWG NO: ECS-200A/28-A-F200 REV: A
STRUCTURAL REF	---	---	CHECKED BY	BO			 <small>© copyright by Eilbeck Cranes www.eilbeckcranes.com</small>	 <small>UNITS mm</small>	WIRE ROPE SHEAVE ASSEMBLY SINGLE SHEAVE BLOCK 200 DIA GENERAL ARRANGEMENT	
STRUCTURAL BY	---	---	APPROVED	TLE						
REGO BODY	---	---	DATE	---						
MECHANICAL	EC	---	SIGNED	---						
ELECTRICAL	EC	---								

REV	DATE	REVISION DESCRIPTION	DRN	CHK	APP
A	21/08/13	ISSUED FOR INFORMATION	TK	BO	TLE