



“ONE COMPANY, MANY LOCATIONS SERVICING AUSTRALASIA”



# WINCH CATALOGUE

## 2015

# Gravity Tower Take-up Winches

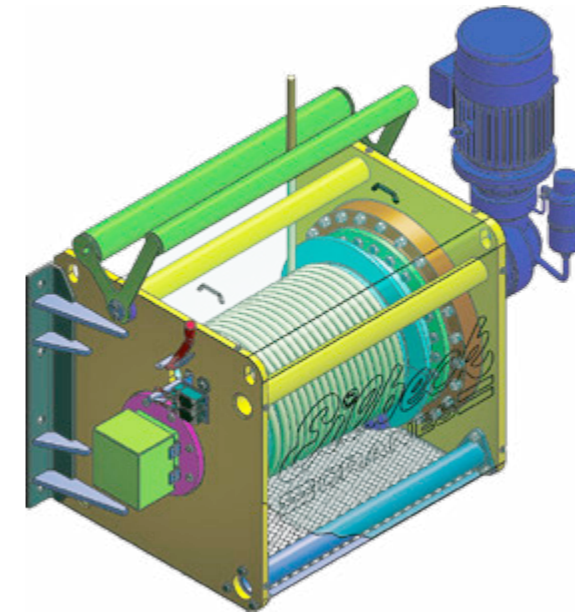


Eilbeck Cranes has been recognised as a high quality, reliable supplier of winch systems with the ability to offer integrated designs to suit the client custom requirements. From ratchet and pawl holding systems, rope slack devices, emergency stops, removable drive units to complete system protection including travel and speed switches, Eilbeck team of engineers constantly works to respond to industry demands and exceed client's expectations in the winch machinery development area.

## OPTIONAL FEATURES FOR ALL WINCHES:

COMPLIANCE WITH AS1418, FEM, ISO, MHI  
 ROTARY LIMIT SWITCH  
 DRUM LOCKING SYSTEM  
 MULTILAYER DRUM  
 GROOVED DRUM  
 ROPE CLEANING SYSTEM  
 ROPE GUIDING SYSTEM  
 SLACK ROPE LIMIT  
 OVERLOAD DETECTING SYSTEM

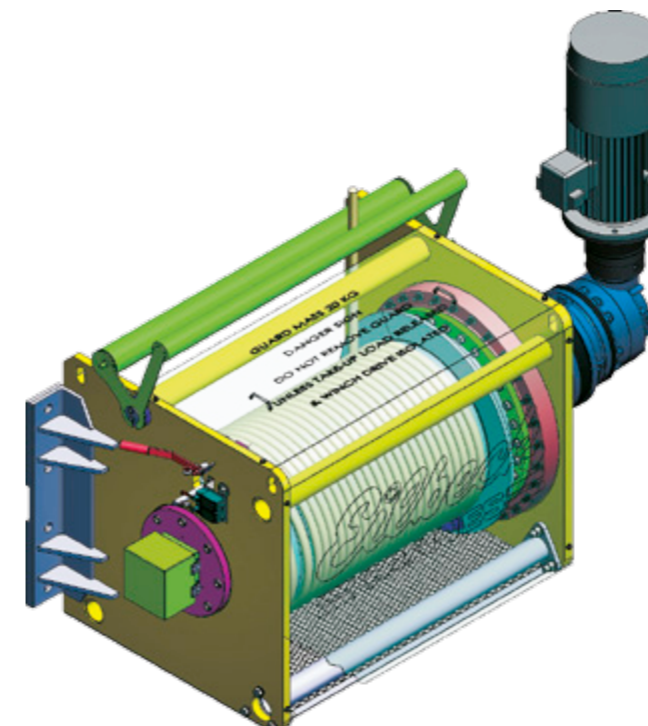
REMOVABLE DRIVE WITH FULL LOAD ON WINCH  
 DRIVE AND CONTROL PANEL MOUNTED ON SKID  
 DOL ELECTRICS  
 VVVF ELECTRICS  
 MANUAL BRAKE RELEASE  
 COVERS  
 DIMENSIONS FULLY CUSTOMIZABLE



### 12t CONVEYOR TAKE UP WINCH

PROJECT: HOPEDOWNS 4 MINE

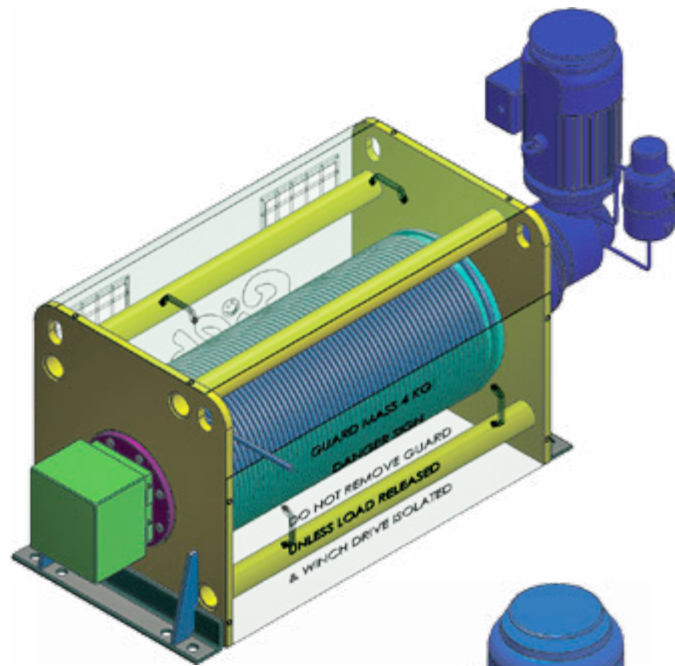
WINCH CAPACITY.....118 kN  
 LINE SPEED.....3.1 m/min  
 ROPE DIAMETER.....26 mm  
 ROPE DRUM ACTIVE STORAGE.....45 m  
 MOTOR POWER.....7.5 kW  
 MOTOR IP RATING.....56  
 WINCH CLASSIFICATION.....M4  
 WINCH WEIGHT.....1550 kg  
 WINCH OVERALL  
 DIMs (HWD).....(1180x1800x860mm)



### 22t CONVEYOR TAKE UP WINCH

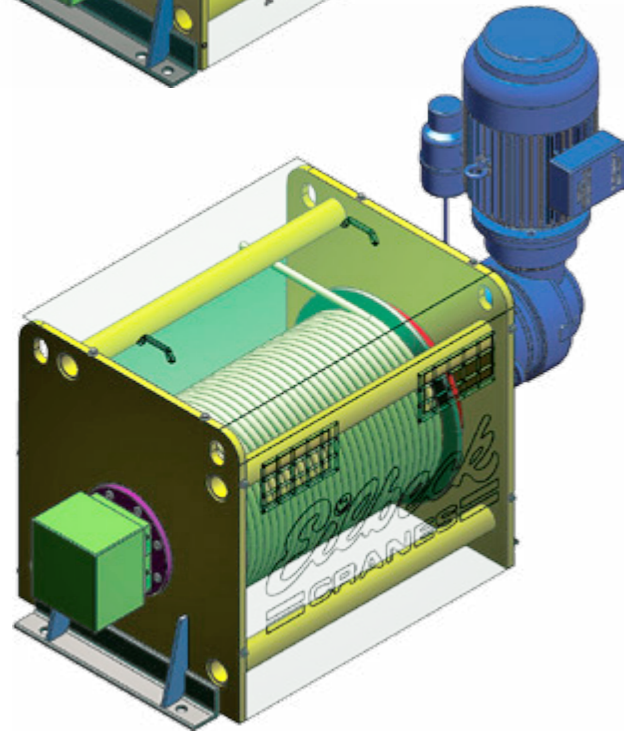
PROJECT: HOPEDOWNS 4 MINE

WINCH CAPACITY.....216 kN  
 LINE SPEED.....3.1 m/min  
 ROPE DIAMETER.....32 mm  
 ROPE DRUM ACTIVE STORAGE.....65 m  
 MOTOR POWER.....15 kW  
 MOTOR IP RATING.....56  
 WINCH CLASSIFICATION.....M4  
 WINCH WEIGHT.....2650 kg  
 WINCH OVERALL  
 DIMs (HWD).....(1650x2400x1050mm)



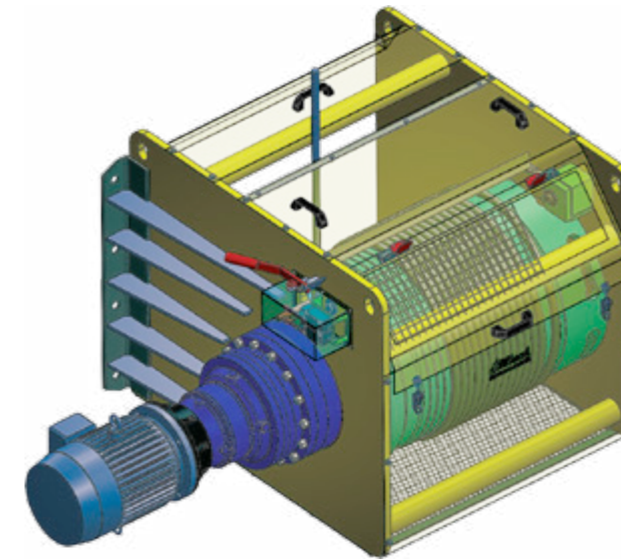
**2.5t REMOVAL WINCH**  
**PROJECT: HOPEDOWNS 4 MINE**

WINCH CAPACITY.....25 kN  
 LINE SPEED.....2.0 m/min  
 ROPE DIAMETER.....12 mm  
 ROPE DRUM ACTIVE STORAGE.....60 m  
 MOTOR POWER.....1.1 kW  
 MOTOR IP RATING.....56  
 WINCH CLASSIFICATION.....M4  
 WINCH WEIGHT.....780 kg  
 WINCH OVERALL  
 DIMs (HWD).....(770x1580x550mm)



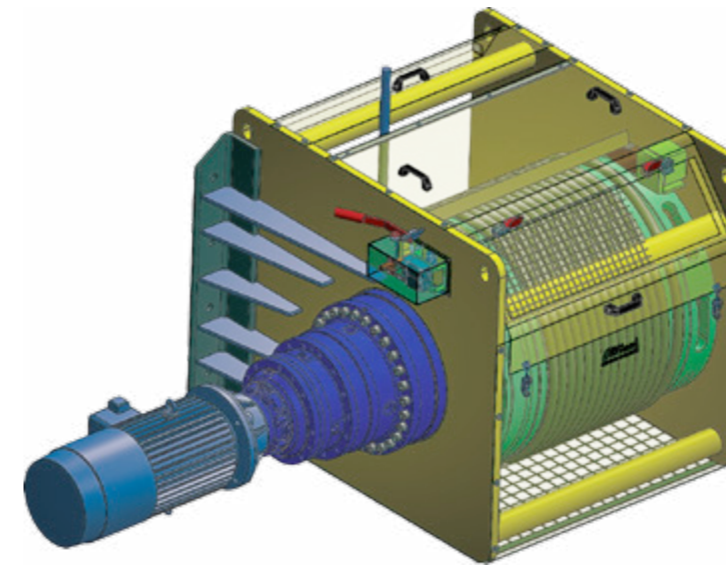
**5t REMOVAL WINCH**  
**PROJECT: HOPEDOWNS 4 MINE**

WINCH CAPACITY.....50 kN  
 LINE SPEED.....4.0 m/min  
 ROPE DIAMETER.....19 mm  
 ROPE DRUM ACTIVE STORAGE.....60 m  
 MOTOR POWER.....4.0 kW  
 MOTOR IP RATING.....56  
 WINCH CLASSIFICATION.....M4  
 WINCH WEIGHT.....1170 Kg  
 WINCH OVERALL  
 DIMs (HWD).....(1020x1530x650mm)



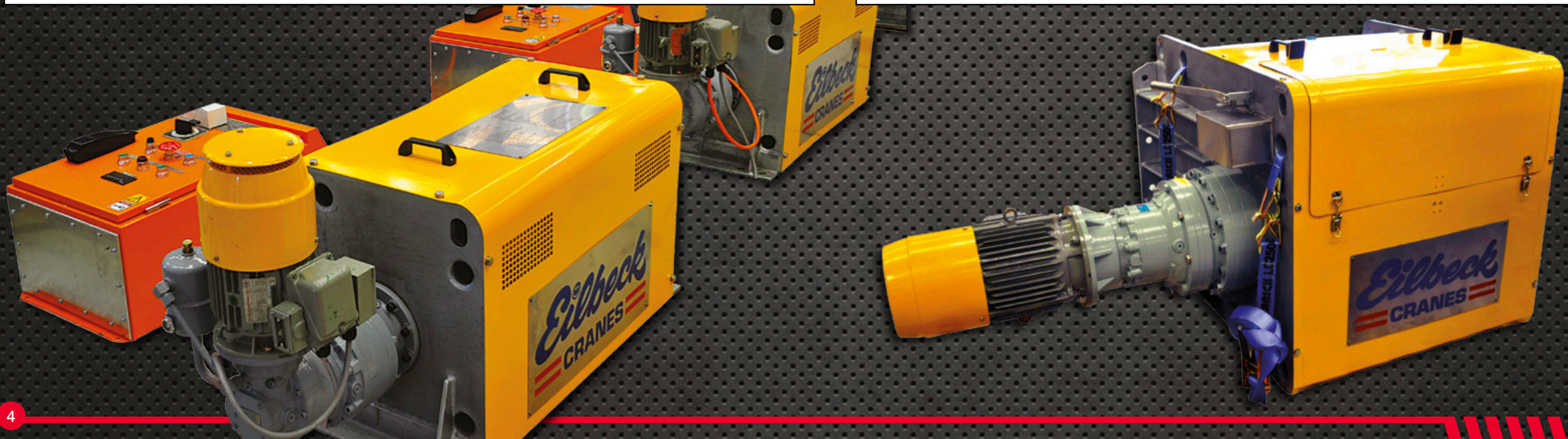
**11t TAKE UP WINCH**  
**PROJECT: CAPE LAMBERT PORT B**

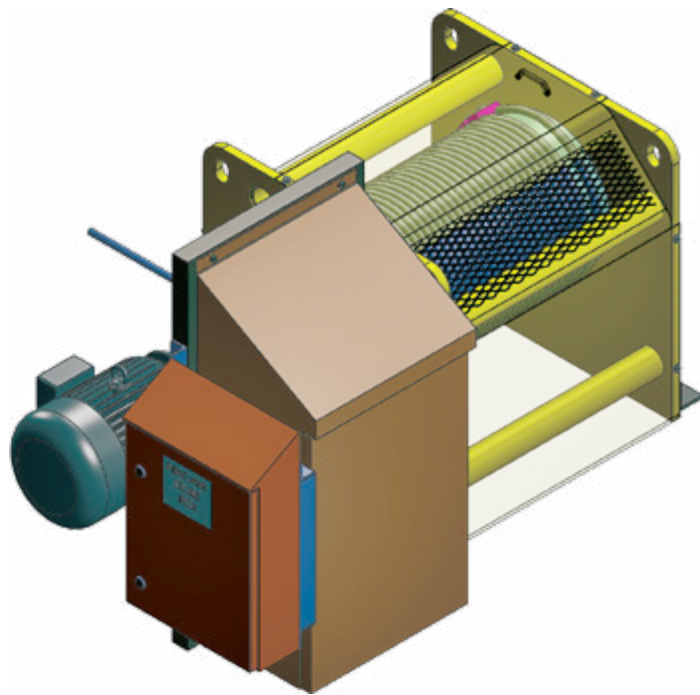
WINCH CAPACITY.....108 kN  
 LINE SPEED.....3.4 m/min  
 ROPE DIAMETER.....24 mm  
 ROPE DRUM ACTIVE STORAGE.....19 m  
 MOTOR POWER.....7.5 kW  
 MOTOR IP RATING.....56  
 WINCH CLASSIFICATION.....M4  
 WINCH WEIGHT.....1500 kg  
 WINCH OVERALL  
 DIMs (HWD).....(950x2210x1150mm)



**22t TAKE UP WINCH**  
**PROJECT: CAPE LAMBERT PORT B**

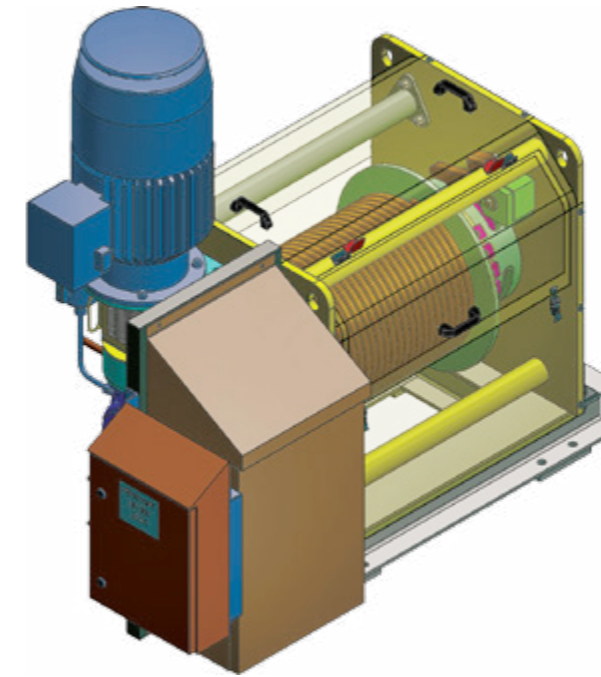
WINCH CAPACITY.....216 kN  
 LINE SPEED.....3.5 m/min  
 ROPE DIAMETER.....32 mm  
 ROPE DRUM ACTIVE STORAGE.....29 m  
 MOTOR POWER.....15 kW  
 MOTOR IP RATING.....56  
 WINCH CLASSIFICATION.....M4  
 WINCH WEIGHT.....2500 kg  
 WINCH OVERALL  
 DIMs (HWD).....(1150x2700x1310mm)





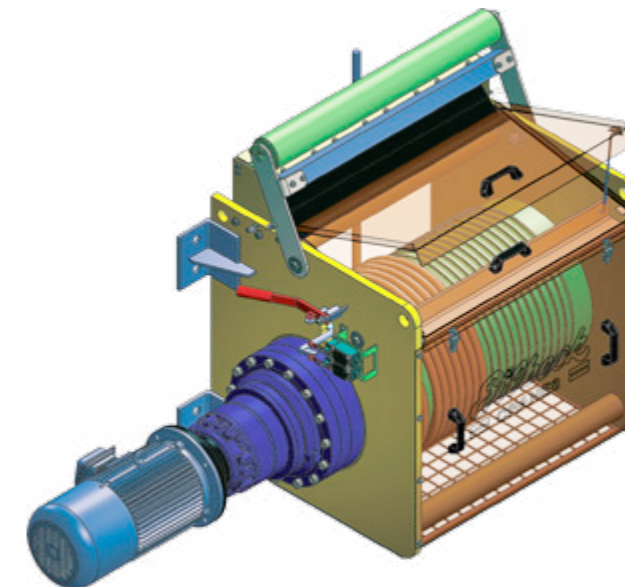
**6t GENERAL PURPOSE WINCH**  
**PROJECT: CAPE LAMBERT PORT B**

WINCH CAPACITY.....59 kN  
 LINE SPEED.....3.4 m/min  
 ROPE DIAMETER.....18 mm  
 ROPE DRUM ACTIVE STORAGE.....30 m  
 MOTOR POWER.....4 kW  
 MOTOR IP RATING.....56  
 WINCH CLASSIFICATION.....M2  
 WINCH WEIGHT.....750 kg  
 WINCH OVERALL  
 DIMs (HWD).....(1100x1850x1010mm)



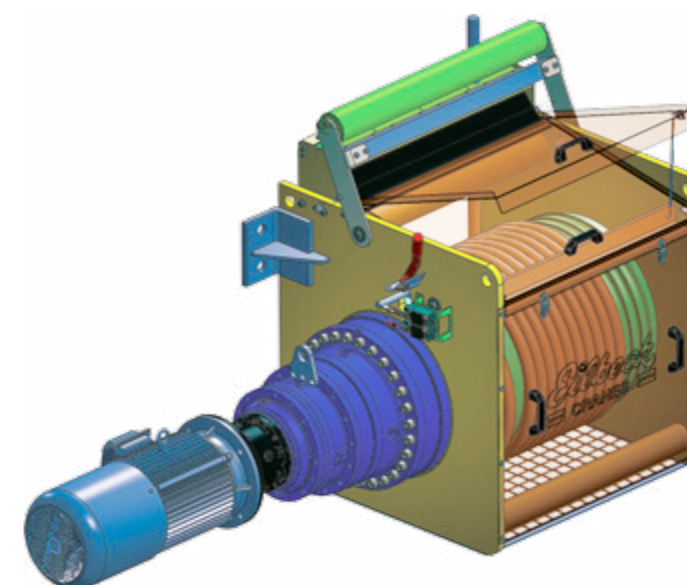
**10t GENERAL PURPOSE WINCH**  
**PROJECT: CAPE LAMBERT PORT B**

WINCH CAPACITY.....98.1 kN  
 LINE SPEED.....9-10.6 m/min  
 ROPE DIAMETER.....22 mm  
 ROPE DRUM ACTIVE STORAGE.....105 m  
 MOTOR POWER.....22 kW  
 MOTOR IP RATING.....56  
 WINCH CLASSIFICATION.....M2  
 WINCH WEIGHT.....1700 kg  
 WINCH OVERALL  
 DIMs (HWD).....(1900x2070x1170mm)



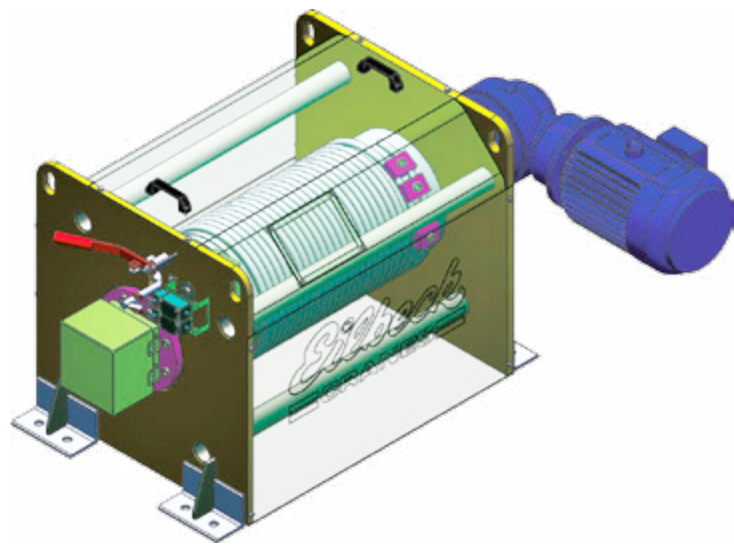
**12t TAKE UP WINCH**  
**PROJECT: NAMMULDI BELOW WATER TABLE**

WINCH CAPACITY.....118 kN  
 LINE SPEED.....3.1 m/min  
 ROPE DIAMETER.....26 mm  
 ROPE DRUM ACTIVE STORAGE.....7 m  
 MOTOR POWER.....7.5 kW  
 MOTOR IP RATING.....56  
 WINCH CLASSIFICATION.....M2  
 WINCH WEIGHT.....1400 kg  
 WINCH OVERALL  
 DIMs (HWD).....(1060x2100x810mm)



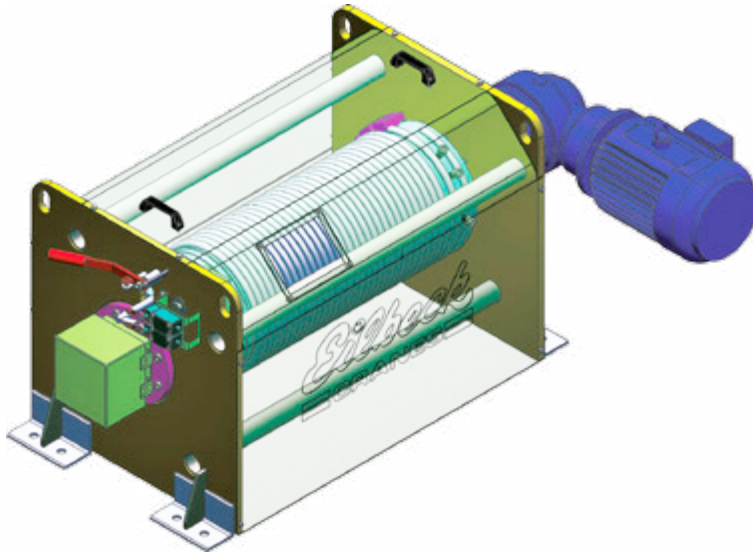
**25t TAKE UP WINCH**  
**PROJECT: NAMMULDI BELOW WATER TABLE**

WINCH CAPACITY.....245 kN  
 LINE SPEED.....3 m/min  
 ROPE DIAMETER.....38 mm  
 ROPE DRUM ACTIVE STORAGE.....14 m  
 MOTOR POWER.....15 kW  
 MOTOR IP RATING.....56  
 WINCH CLASSIFICATION.....M2  
 WINCH WEIGHT.....2300 kg  
 WINCH OVERALL  
 DIMs (HWD).....(1200x2530x910mm)



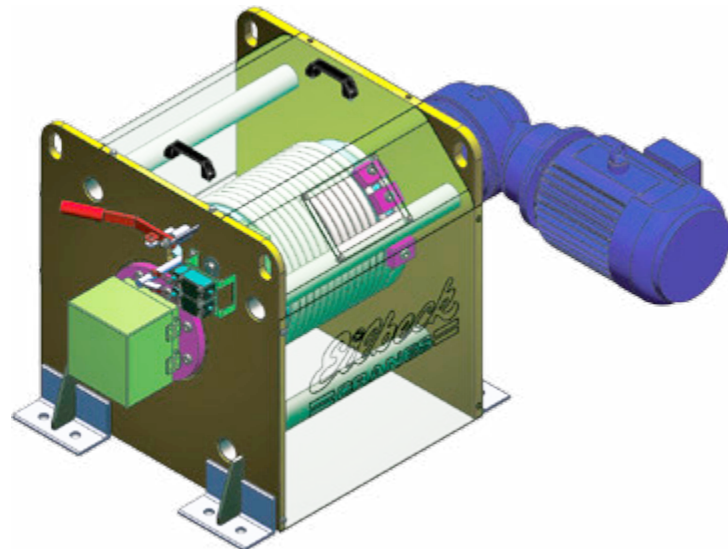
**5.8t TAKE UP WINCH**  
**PROJECT: CAVAL RIDGE PROJECT**

WINCH CAPACITY.....57 kN  
 LINE SPEED.....2 m/min  
 ROPE DIAMETER.....20 mm  
 ROPE DRUM ACTIVE STORAGE.....20 m  
 MOTOR POWER.....3 kW  
 MOTOR IP RATING.....56  
 WINCH CLASSIFICATION.....M2  
 WINCH WEIGHT.....860 kg  
 WINCH OVERALL  
 DIMs (HWD).....(770x1730x1050mm)



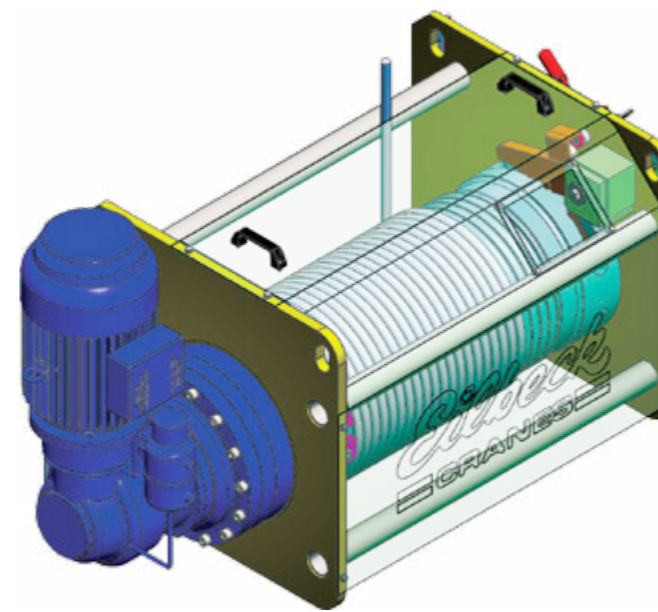
**6.1t TAKE UP WINCH**  
**PROJECT: CAVAL RIDGE PROJECT**

WINCH CAPACITY.....60 kN  
 LINE SPEED.....2 m/min  
 ROPE DIAMETER.....20 mm  
 ROPE DRUM ACTIVE STORAGE.....30 m  
 MOTOR POWER.....3 kW  
 MOTOR IP RATING.....56  
 WINCH CLASSIFICATION.....M2  
 WINCH WEIGHT.....900 kg  
 WINCH OVERALL  
 DIMs (HWD).....(770x1900x1050mm)



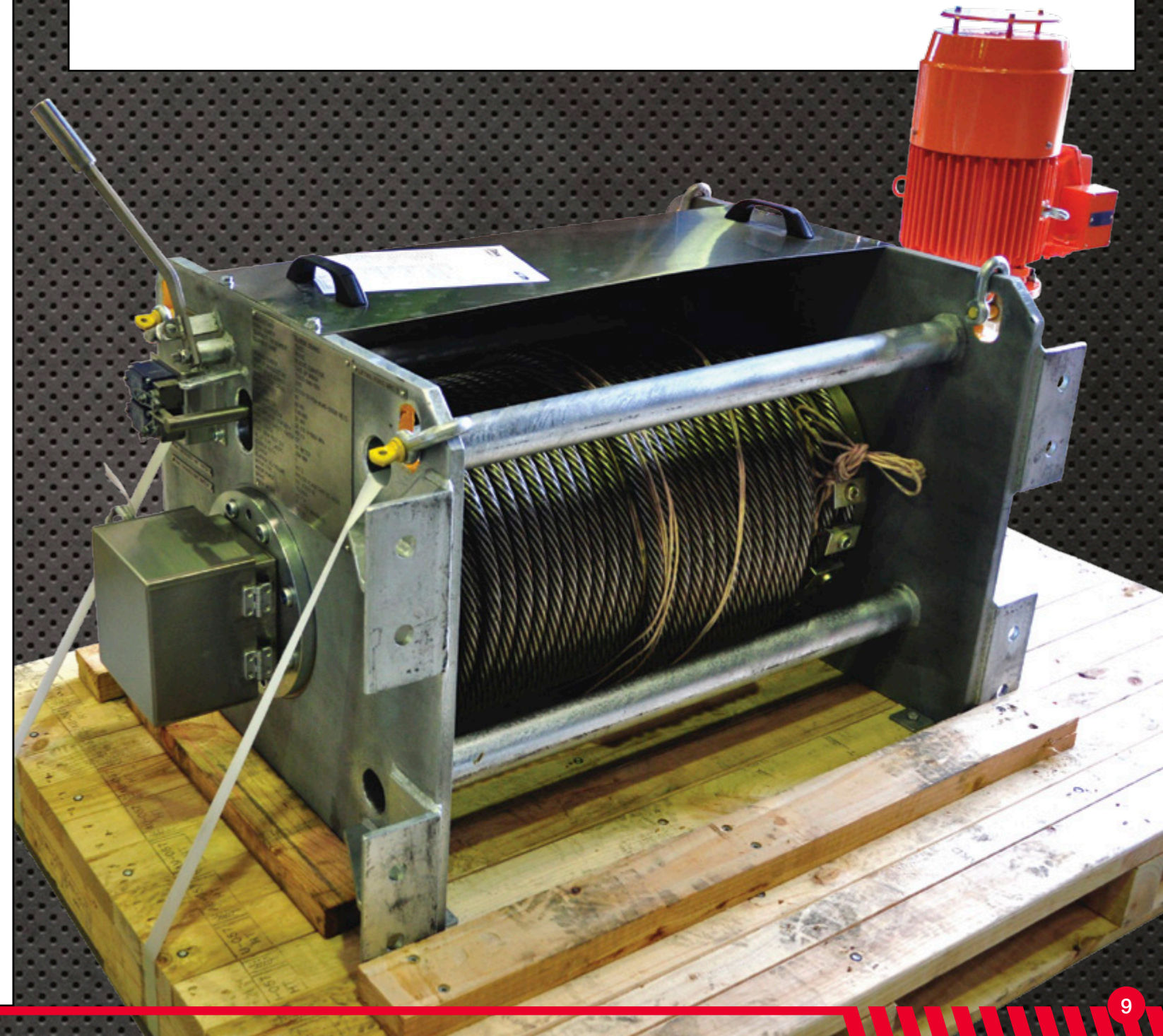
**6.5t TAKE UP WINCH**  
**PROJECT: CAVAL RIDGE PROJECT**

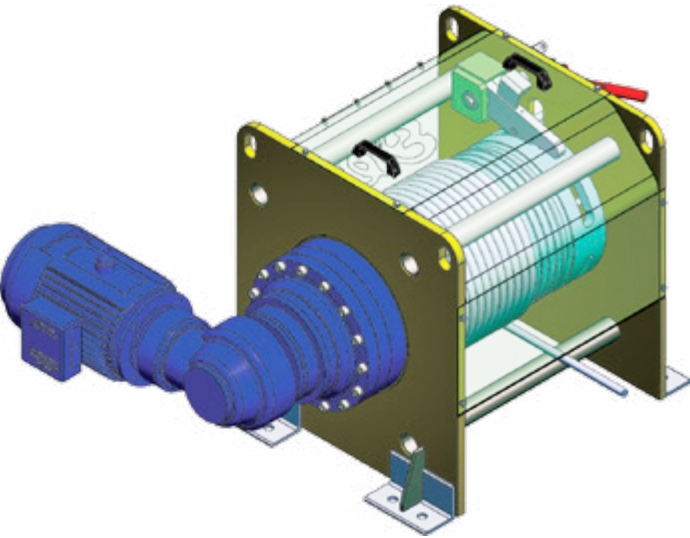
WINCH CAPACITY.....64 kN  
 LINE SPEED.....2 m/min  
 ROPE DIAMETER.....20 mm  
 ROPE DRUM ACTIVE STORAGE.....10 m  
 MOTOR POWER.....3 kW  
 MOTOR IP RATING.....56  
 WINCH CLASSIFICATION.....M2  
 WINCH WEIGHT.....800 kg  
 WINCH OVERALL  
 DIMs (HWD).....(770x1420x1050mm)



**8.1t TAKE UP WINCH**  
**PROJECT: CAVAL RIDGE PROJECT**

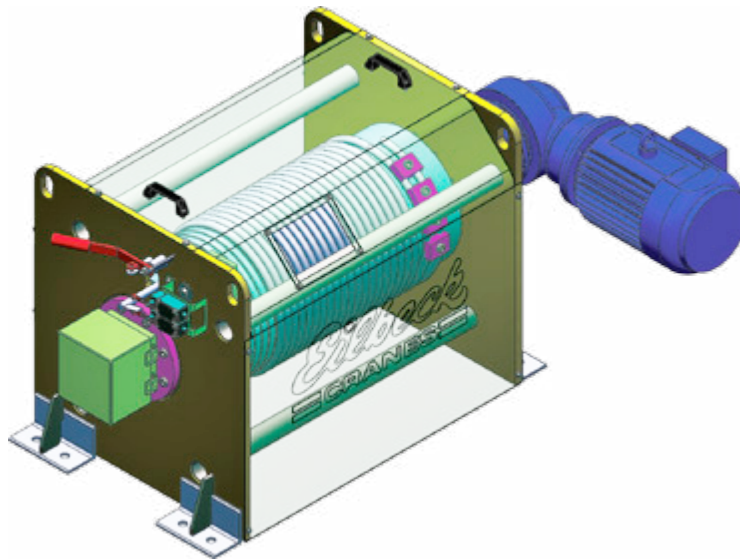
WINCH CAPACITY.....80 kN  
 LINE SPEED.....2 m/min  
 ROPE DIAMETER.....22 mm  
 ROPE DRUM ACTIVE STORAGE.....20 m  
 MOTOR POWER.....4 kW  
 MOTOR IP RATING.....56  
 WINCH CLASSIFICATION.....M2  
 WINCH WEIGHT.....760 kg  
 WINCH OVERALL  
 DIMs (HWD).....(1010x1800x750mm)





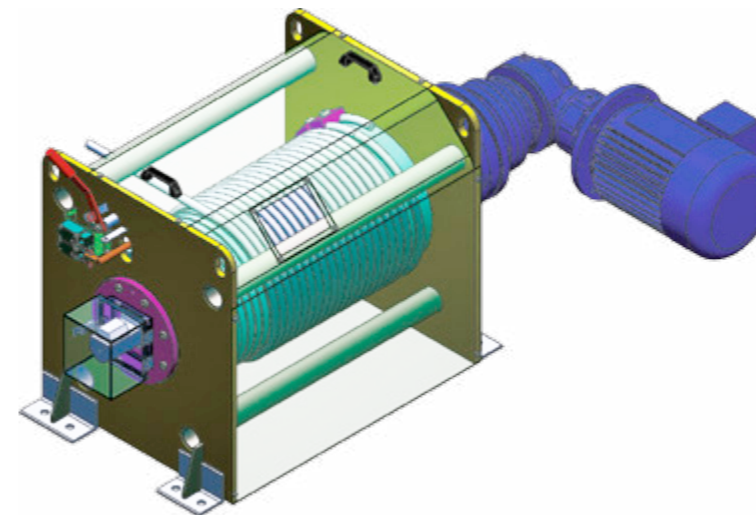
**8.5t TAKE UP WINCH**  
**PROJECT: CAVAL RIDGE PROJECT**

WINCH CAPACITY.....85 kN  
 LINE SPEED.....2 m/min  
 ROPE DIAMETER.....22 mm  
 ROPE DRUM ACTIVE STORAGE.....10 m  
 MOTOR POWER.....4 kW  
 MOTOR IP RATING.....56  
 WINCH CLASSIFICATION.....M2  
 WINCH WEIGHT.....800 kg  
 WINCH OVERALL  
 DIMs (HWD).....(810x1500x1050mm)



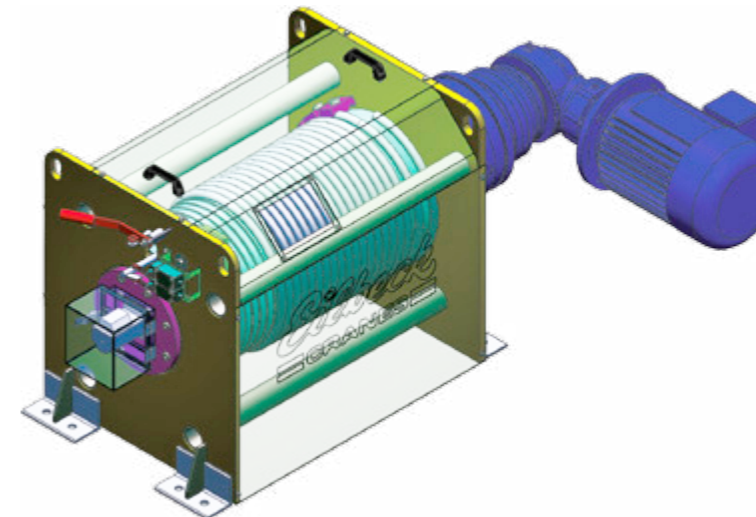
**9.2t TAKE UP WINCH**  
**PROJECT: CAVAL RIDGE PROJECT**

WINCH CAPACITY.....90 kN  
 LINE SPEED.....2 m/min  
 ROPE DIAMETER.....22 mm  
 ROPE DRUM ACTIVE STORAGE.....20 m  
 MOTOR POWER.....4 kW  
 MOTOR IP RATING.....56  
 WINCH CLASSIFICATION.....M2  
 WINCH WEIGHT.....870 kg  
 WINCH OVERALL  
 DIMs (HWD).....(810x1800x1050mm)



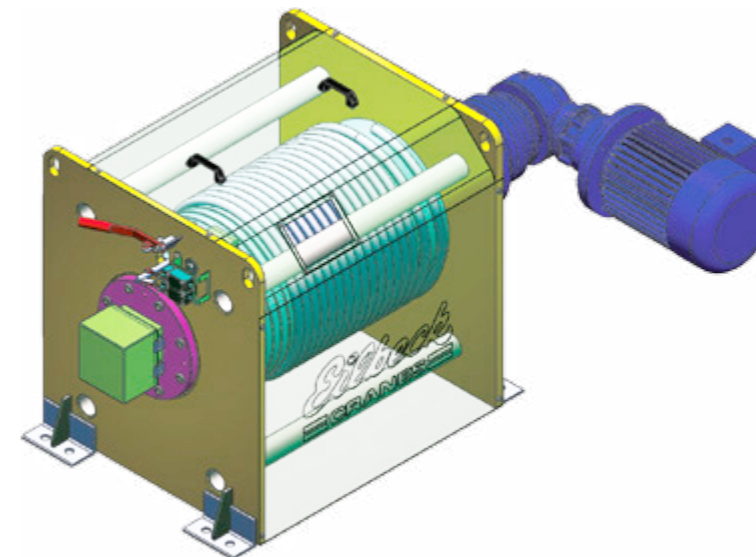
**11.2t TAKE UP WINCH**  
**PROJECT: CAVAL RIDGE PROJECT**

WINCH CAPACITY.....110 kN  
 LINE SPEED.....2 m/min  
 ROPE DIAMETER.....26 mm  
 ROPE DRUM ACTIVE STORAGE.....25 m  
 MOTOR POWER.....7.5 kW  
 MOTOR IP RATING.....56  
 WINCH CLASSIFICATION.....M2  
 WINCH WEIGHT.....1220 kg  
 WINCH OVERALL  
 DIMs (HWD).....(860x2100x1170mm)



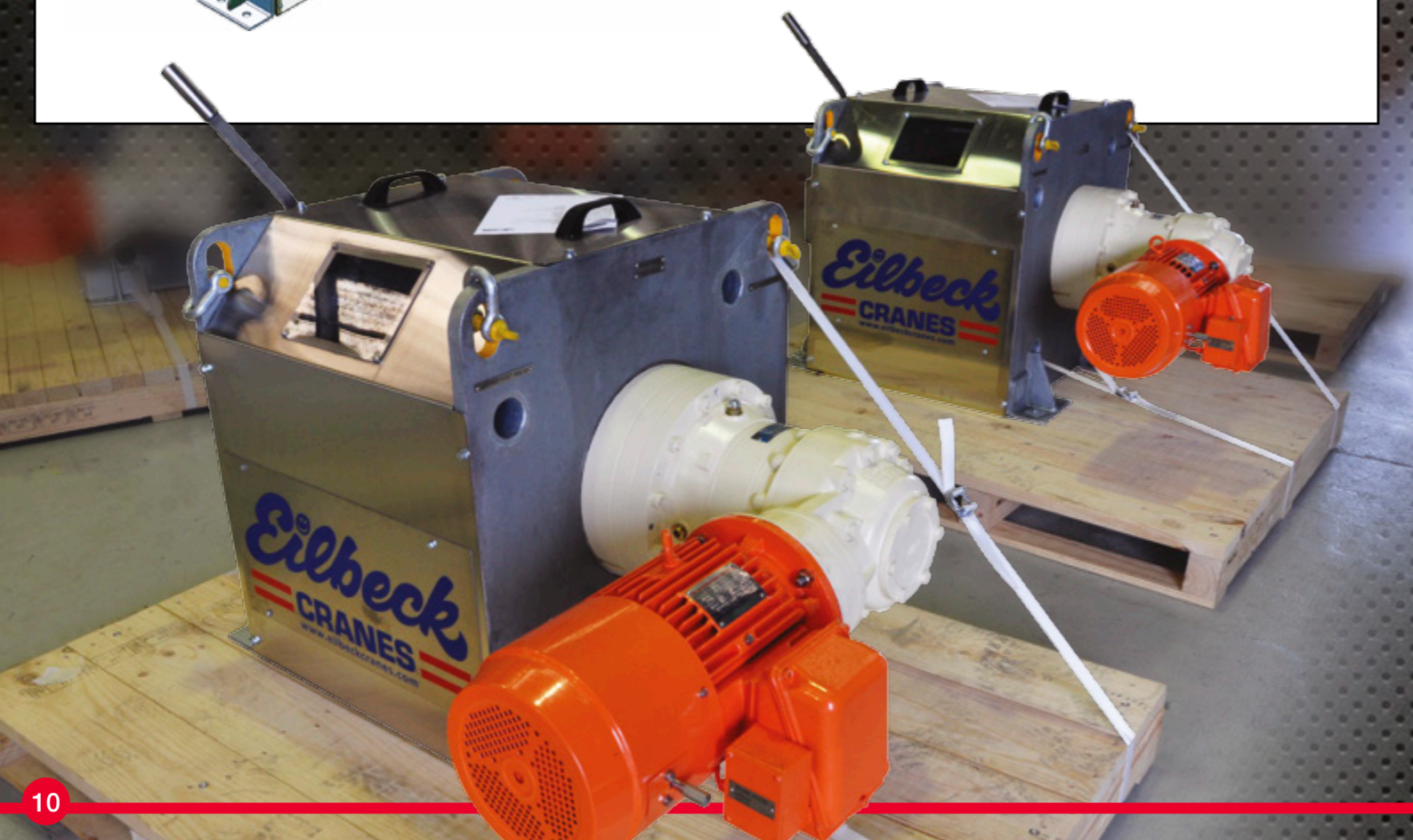
**16.5t TAKE UP WINCH**  
**PROJECT: CAVAL RIDGE PROJECT**

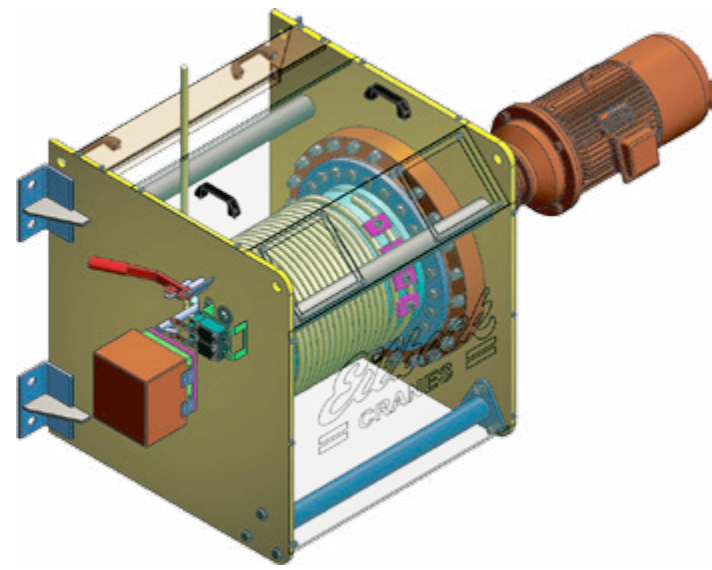
WINCH CAPACITY.....160 kN  
 LINE SPEED.....2 m/min  
 ROPE DIAMETER.....26 mm  
 ROPE DRUM ACTIVE STORAGE.....20 m  
 MOTOR POWER.....7.5 kW  
 MOTOR IP RATING.....56  
 WINCH CLASSIFICATION.....M2  
 WINCH WEIGHT.....1220 kg  
 WINCH OVERALL  
 DIMs (HWD).....(860x2100x1170mm)



**21.5t TAKE UP WINCH**  
**PROJECT: CAVAL RIDGE PROJECT**

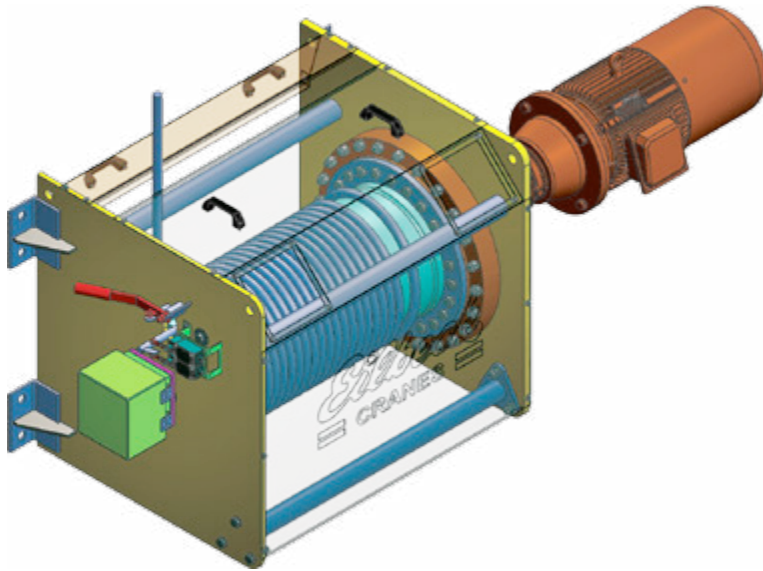
WINCH CAPACITY.....210 kN  
 LINE SPEED.....2 m/min  
 ROPE DIAMETER.....30 mm  
 ROPE DRUM ACTIVE STORAGE.....20 m  
 MOTOR POWER.....11 kW  
 MOTOR IP RATING.....56  
 WINCH CLASSIFICATION.....M2  
 WINCH WEIGHT.....1570 kg  
 WINCH OVERALL  
 DIMs (HWD).....(1010x2130x1250mm)





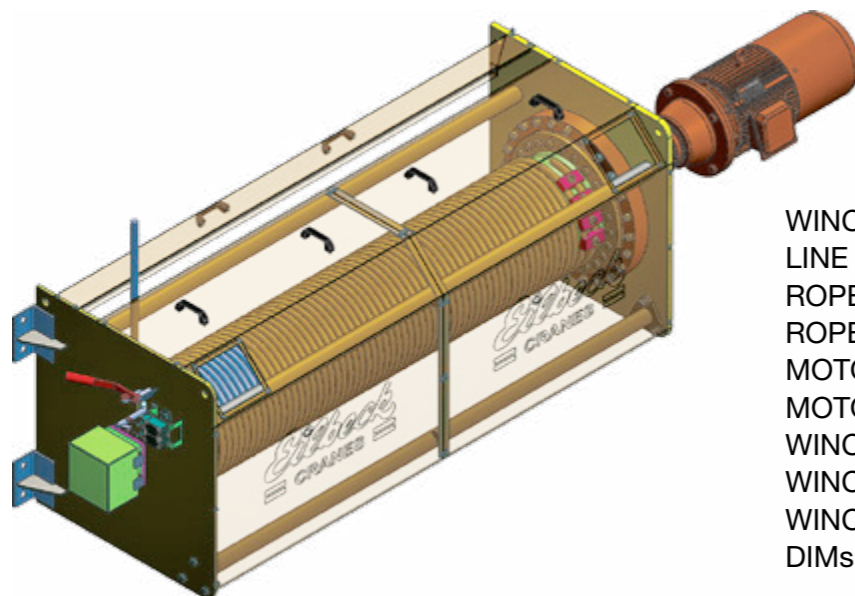
**7t TAKE UP WINCH**  
**PROJECT: YANDI SUSTAINING PROJECT**

WINCH CAPACITY.....69 kN  
 LINE SPEED.....4 m/min  
 ROPE DIAMETER.....19 mm  
 ROPE DRUM ACTIVE STORAGE.....16 m  
 MOTOR POWER.....7.5 kW  
 MOTOR IP RATING.....56  
 WINCH CLASSIFICATION.....M2  
 WINCH WEIGHT.....1100 kg  
 WINCH OVERALL  
 DIMs (HWD).....(890x2000x860mm)



**10t TAKE UP WINCH**  
**PROJECT: YANDI SUSTAINING PROJECT**

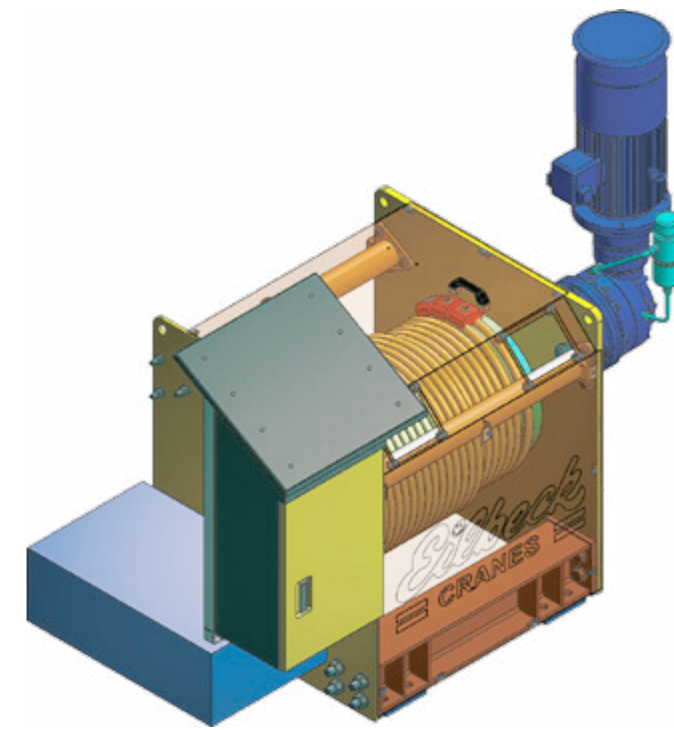
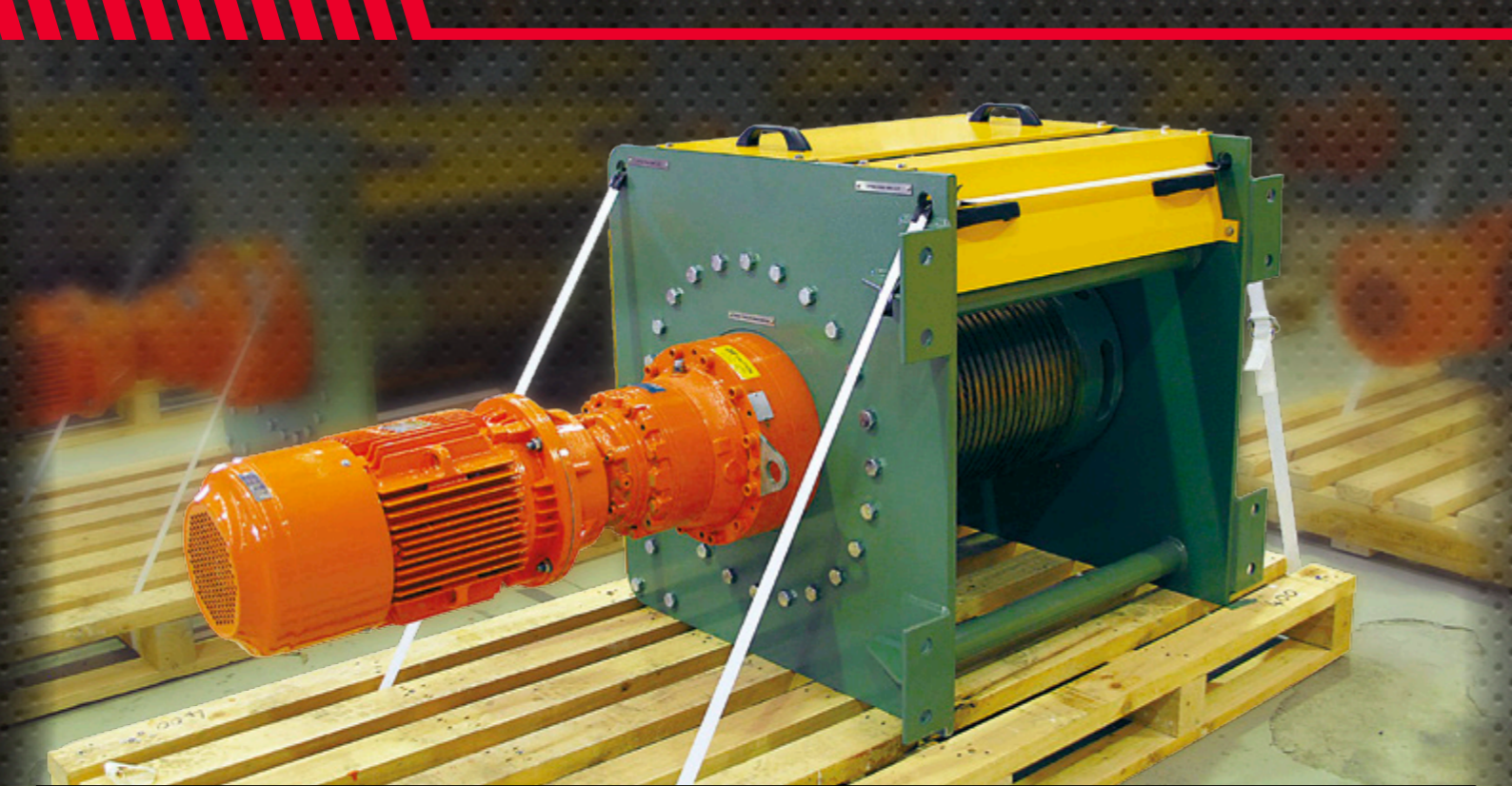
WINCH CAPACITY.....98 kN  
 LINE SPEED.....4 m/min  
 ROPE DIAMETER.....26 mm  
 ROPE DRUM ACTIVE STORAGE.....20 m  
 MOTOR POWER.....11 kW  
 MOTOR IP RATING.....56  
 WINCH CLASSIFICATION.....M2  
 WINCH WEIGHT.....1300 kg  
 WINCH OVERALL  
 DIMs (HWD).....(890x2400x860mm)



**10t TAKE UP WINCH**  
**PROJECT: YANDI SUSTAINING PROJECT**

WINCH CAPACITY.....98 kN  
 LINE SPEED.....4 m/min  
 ROPE DIAMETER.....26 mm  
 ROPE DRUM ACTIVE STORAGE.....72 m  
 MOTOR POWER.....11 kW  
 MOTOR IP RATING.....56  
 WINCH CLASSIFICATION.....M2  
 WINCH WEIGHT.....1900 kg  
 WINCH OVERALL  
 DIMs (HWD).....(890x3560x860mm)

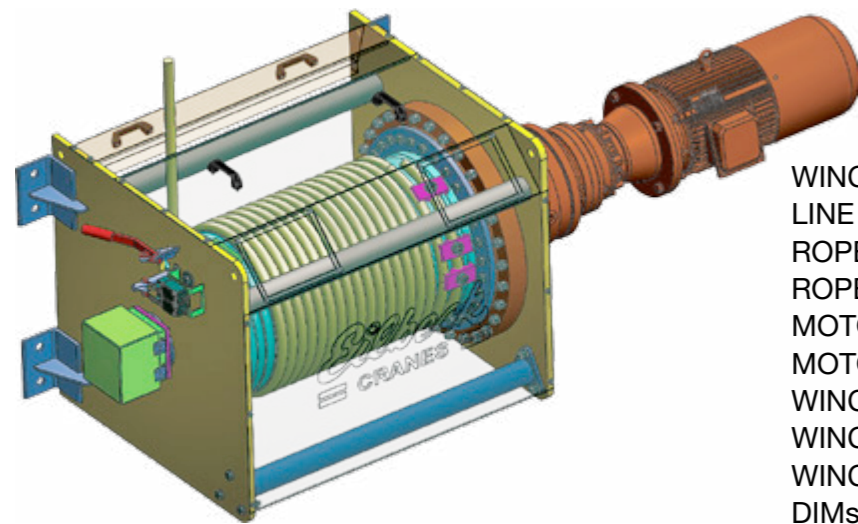




**30t APRON FEEDER  
RETRACTION WINCH**

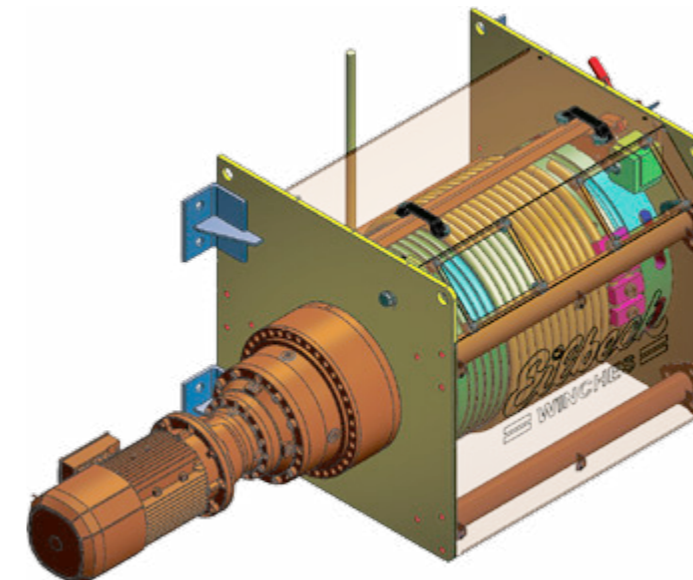
**PROJECT: E-2411 SAMSUNG ROY HILL  
CAR BUMPER APF & D/C**

WINCH CAPACITY.....118 kN  
 LINE SPEED.....2 m/min  
 ROPE DIAMETER.....26 mm  
 ROPE DRUM ACTIVE STORAGE.....25 m  
 MOTOR POWER.....5.5 kW  
 MOTOR IP RATING.....56  
 WINCH CLASSIFICATION.....M2  
 WINCH WEIGHT.....1300 kg  
 WINCH OVERALL  
 DIMs (HWD).....(1180x1800x920mm)



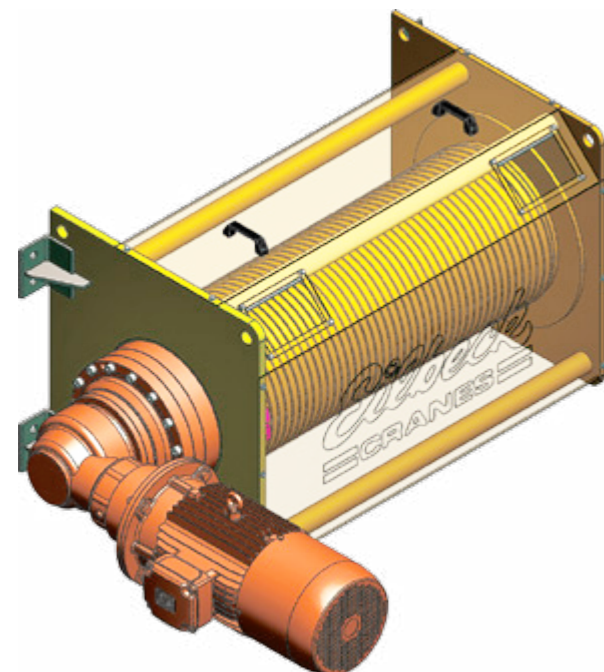
**17t TAKE UP WINCH  
YANDI SUSTAINING PROJECT**

WINCH CAPACITY.....167 kN  
 LINE SPEED.....4 m/min  
 ROPE DIAMETER.....32 mm  
 ROPE DRUM ACTIVE STORAGE.....20 m  
 MOTOR POWER.....15 kW  
 MOTOR IP RATING.....56  
 WINCH CLASSIFICATION.....M2  
 WINCH WEIGHT.....2100 kg  
 WINCH OVERALL  
 DIMs (HWD).....(900x2680x960mm)



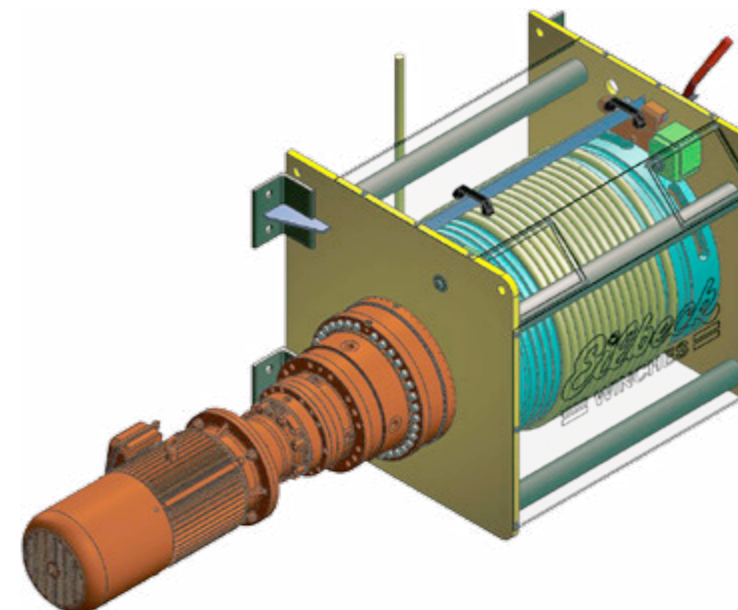
**11t TAKE UP WINCH  
PROJECT: WEST ANGELS DEPOSIT B**

WINCH CAPACITY.....108 kN  
 LINE SPEED.....2 m/min  
 ROPE DIAMETER.....28 mm  
 ROPE DRUM ACTIVE STORAGE.....20 m  
 MOTOR POWER.....5.5 kW  
 MOTOR IP RATING.....55  
 WINCH CLASSIFICATION.....M2  
 WINCH WEIGHT.....1770 kg  
 WINCH OVERALL  
 DIMs (HWD).....(900x2260x910mm)



**6t TAKE UP WINCH  
WIGGINS ISLAND COAL EXPORT  
TERMINAL**

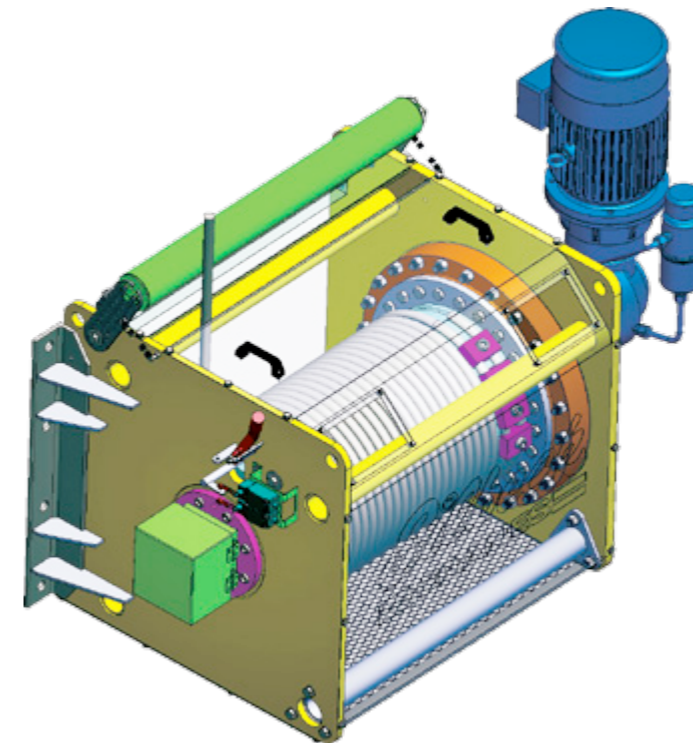
WINCH CAPACITY.....59 kN  
 LINE SPEED.....13.6 m/min  
 ROPE DIAMETER.....22 mm  
 ROPE DRUM ACTIVE STORAGE.....100 m  
 MOTOR POWER.....15 kW  
 MOTOR IP RATING.....56  
 WINCH CLASSIFICATION.....M5  
 WINCH WEIGHT.....1300 kg  
 WINCH OVERALL  
 DIMs (HWD).....(800x2000x1450mm)



**13.5t TAKE UP WINCH  
PROJECT: WEST ANGELS DEPOSIT B**

WINCH CAPACITY.....135 kN  
 LINE SPEED.....2 m/min  
 ROPE DIAMETER.....28 mm  
 ROPE DRUM ACTIVE STORAGE.....20 m  
 MOTOR POWER.....5.5 kW  
 MOTOR IP RATING.....55  
 WINCH CLASSIFICATION.....M2  
 WINCH WEIGHT.....1700 kg  
 WINCH OVERALL  
 DIMs (HWD).....(900x2260x910mm)

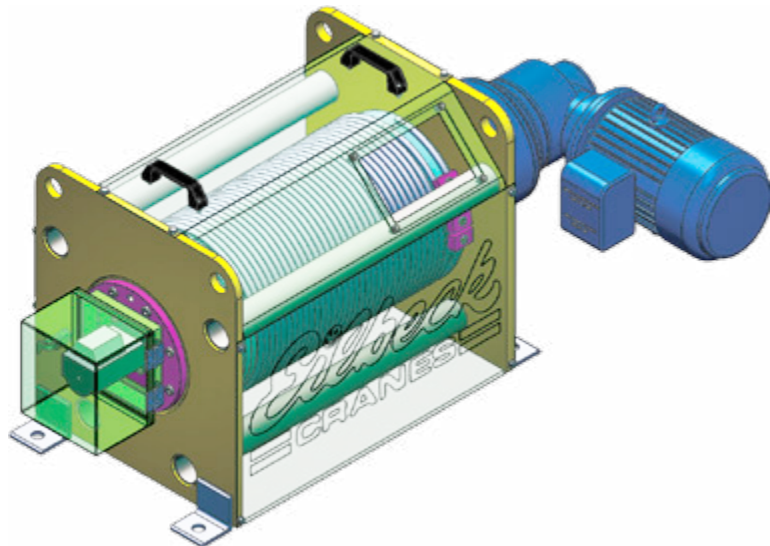




**12t PRIMARY CRUSHER  
ORE CONVEYOR TAKE UP WINCH**  
PROJECT: MARANDOO MINE PHASE 2

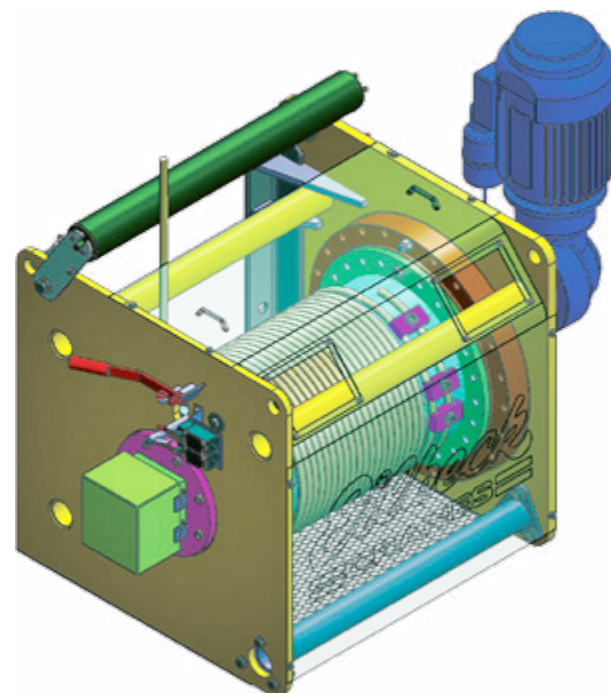
WINCH CAPACITY.....	118 kN
LINE SPEED.....	2 m/min
ROPE DIAMETER.....	26 mm
ROPE DRUM ACTIVE STORAGE.....	25 m
MOTOR POWER.....	5.5 kW
MOTOR IP RATING.....	56
WINCH CLASSIFICATION.....	M2
WINCH WEIGHT.....	1300 kg
WINCH OVERALL DIMs (HWD).....	(1180x1800x920mm)

**2.5t REMOVAL WINCH**  
PROJECT: MARANDOO MINE PHASE 2

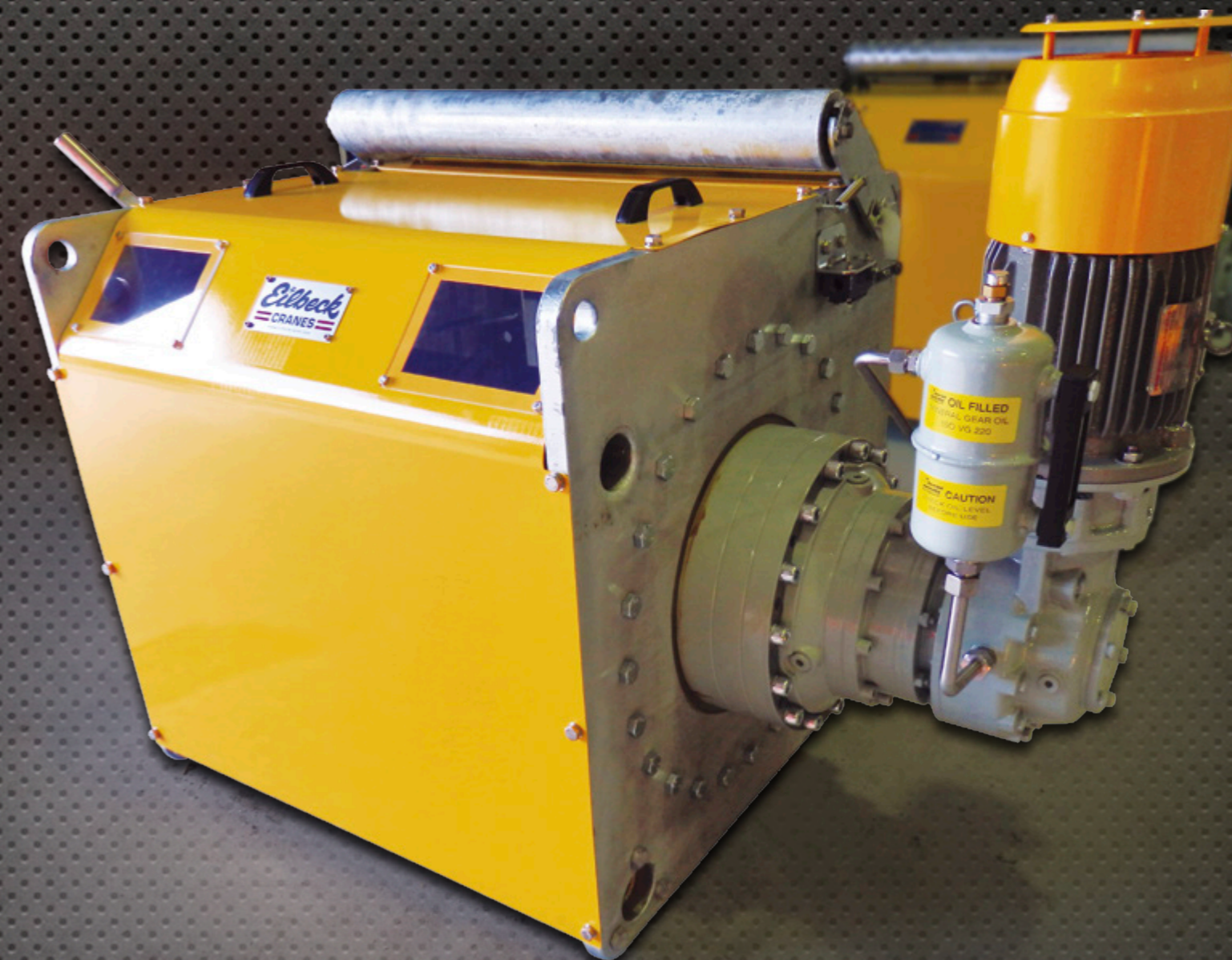


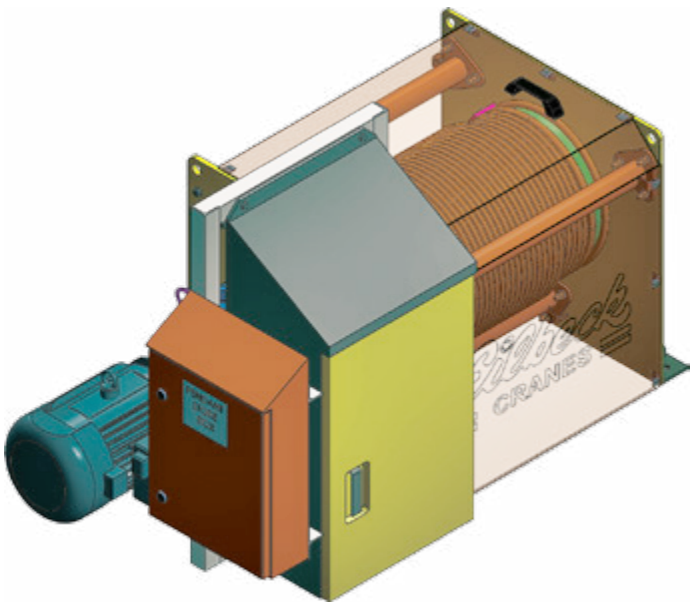
WINCH CAPACITY.....	25 kN
LINE SPEED.....	2 m/min
ROPE DIAMETER.....	12 mm
ROPE DRUM ACTIVE STORAGE.....	30 m
MOTOR POWER.....	1.1 kW
MOTOR IP RATING.....	56
WINCH CLASSIFICATION.....	M2
WINCH WEIGHT.....	400 kg
WINCH OVERALL DIMs (HWD).....	(560x1330x730mm)

**8t SCRUBBER FEED  
CONVEYOR TAKE UP WINCH**  
PROJECT: MARANDOO MINE PHASE 2



WINCH CAPACITY.....	78.5 kN
LINE SPEED.....	2 m/min
ROPE DIAMETER.....	19 mm
ROPE DRUM ACTIVE STORAGE.....	25 m
MOTOR POWER.....	3 kW
MOTOR IP RATING.....	56
WINCH CLASSIFICATION.....	M2
WINCH WEIGHT.....	1200 kg
WINCH OVERALL DIMs (HWD).....	(1010x1650x920mm)





**5t MAINTENANCE WINCH**  
**PROJECT: ROY HILL IRON ORE**

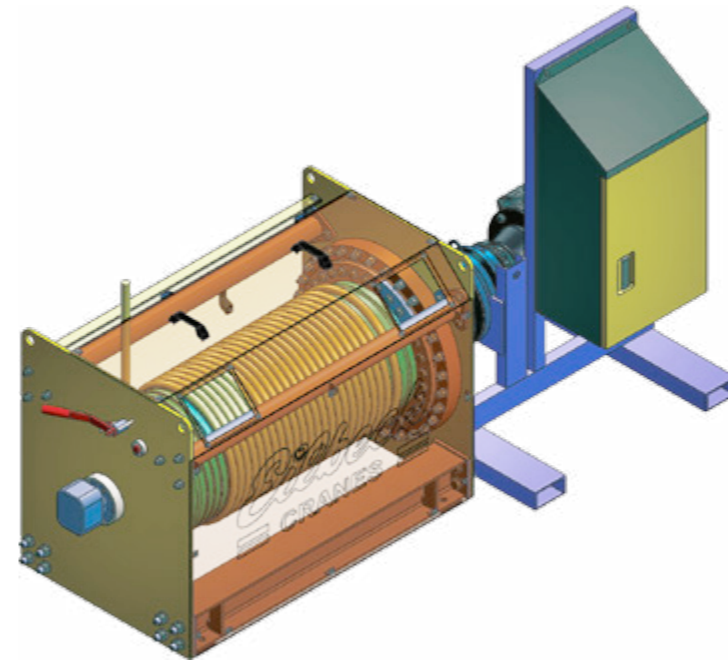
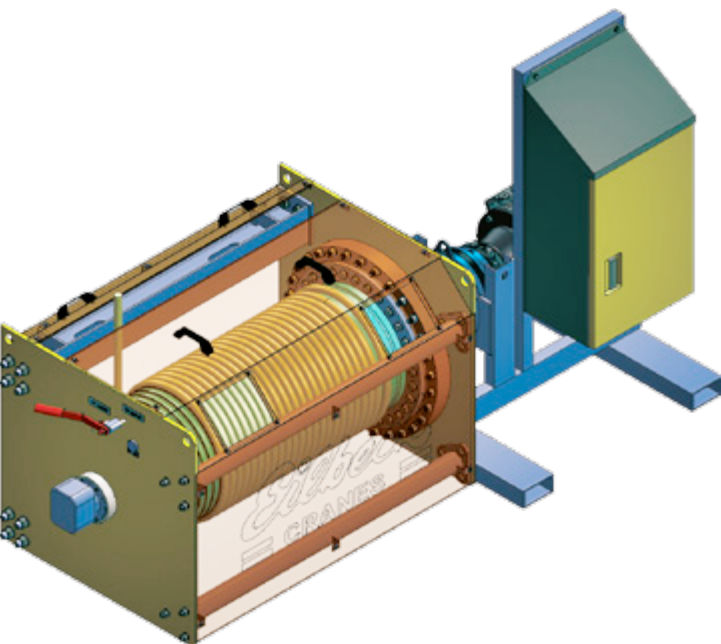
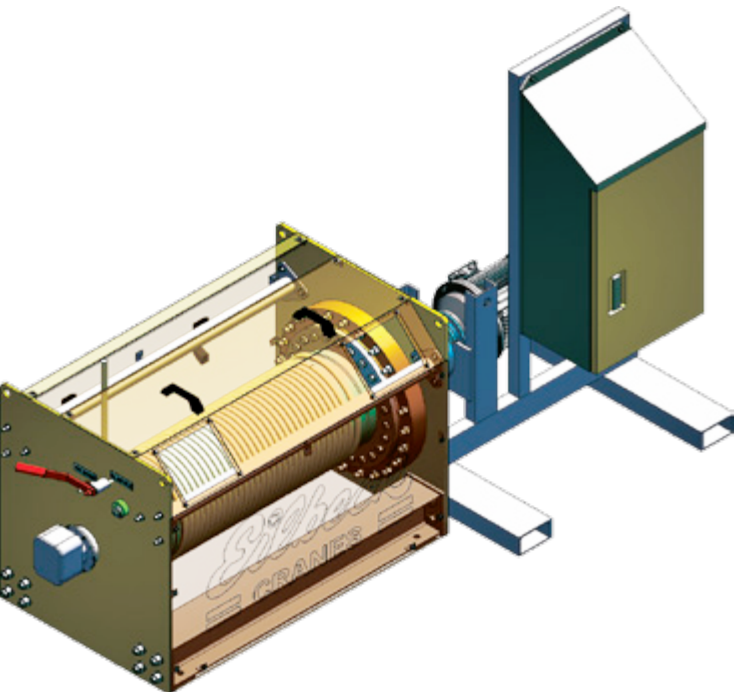
WINCH CAPACITY.....49 kN  
 LINE SPEED.....2.8 m/min  
 ROPE DIAMETER.....18 mm  
 ROPE DRUM ACTIVE STORAGE.....95 m  
 MOTOR POWER.....3 kW  
 MOTOR IP RATING.....56  
 WINCH CLASSIFICATION.....M4  
 WINCH WEIGHT.....900 kg  
 WINCH OVERALL  
 DIMs (HWD).....(1220x1920x1030mm)

**8.7t VERTICAL GRAVITY TAKE UP WINCH**  
**PROJECT: ROY HILL IRON ORE**

WINCH CAPACITY.....85.8 kN  
 LINE SPEED.....2.5 m/min  
 ROPE DIAMETER.....22 mm  
 ROPE DRUM ACTIVE STORAGE.....33 m  
 MOTOR POWER.....5.5 kW  
 MOTOR IP RATING.....56  
 WINCH CLASSIFICATION.....M4  
 WINCH WEIGHT.....900 kg  
 WINCH OVERALL  
 DIMs (HWD).....(1450x2500x1050mm)

**16.5t HORIZONTAL GRAVITY TAKE UP WINCH**  
**PROJECT: ROY HILL IRON ORE**

WINCH CAPACITY.....162 kN  
 LINE SPEED.....2.5 m/min  
 ROPE DIAMETER.....30 mm  
 ROPE DRUM ACTIVE STORAGE.....33 m  
 ROPE DRUM ROOT DIA.....479 mm  
 NO. OF ROPE LAYERS.....1  
 MOTOR POWER.....11 kW  
 MOTOR IP RATING.....56  
 WINCH CLASSIFICATION.....M4  
 WINCH WEIGHT.....1700 kg  
 WINCH OVERALL  
 DIMs (HWD).....(1400x2960x1150mm)

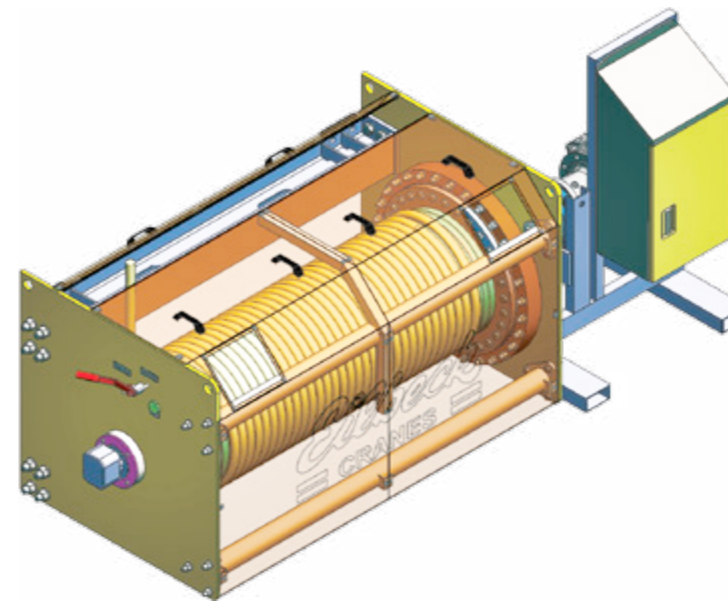


**16.5t VERTICAL GRAVITY TAKE UP WINCH**  
**PROJECT: ROY HILL IRON ORE**

WINCH CAPACITY.....162 kN  
 LINE SPEED.....2.5 m/min  
 ROPE DIAMETER.....30 mm  
 ROPE DRUM ACTIVE STORAGE.....33 m  
 MOTOR POWER.....11 kW  
 MOTOR IP RATING.....56  
 WINCH CLASSIFICATION.....M4  
 WINCH WEIGHT.....1700 kg  
 WINCH OVERALL  
 DIMs (HWD).....(1400x2960x1060mm)

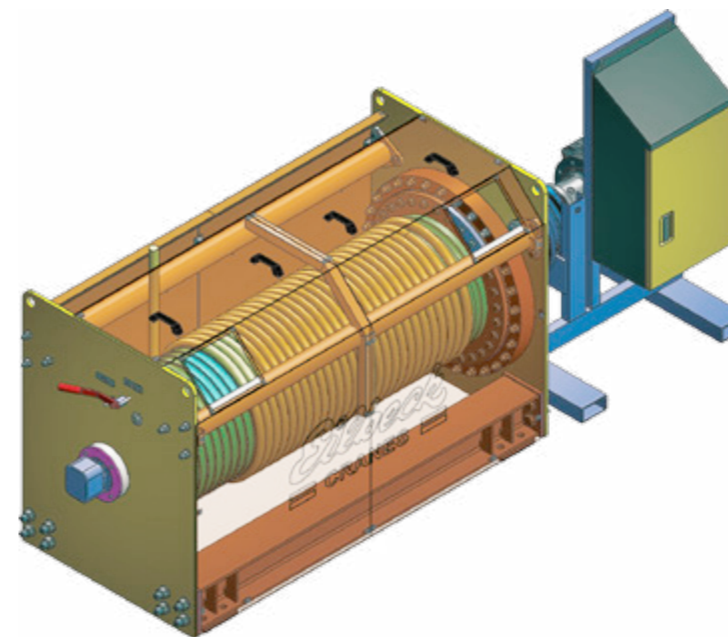
**33t HORIZONTAL GRAVITY TAKE UP WINCH**  
**PROJECT: ROY HILL IRON ORE**

WINCH CAPACITY.....324 kN  
 LINE SPEED.....2.5 m/min  
 ROPE DIAMETER.....42 mm  
 ROPE DRUM ACTIVE STORAGE.....56 m  
 ROPE DRUM ROOT DIA.....588 mm  
 NO. OF ROPE LAYERS.....1  
 MOTOR POWER.....18.5 kW  
 MOTOR IP RATING.....56  
 WINCH CLASSIFICATION.....M4  
 WINCH WEIGHT.....3200 kg  
 WINCH OVERALL  
 DIMs (HWD).....(1400x3740x1250mm)



**33t VERTICAL GRAVITY TAKE UP WINCH**  
**PROJECT: ROY HILL IRON ORE**

WINCH CAPACITY.....324 kN  
 LINE SPEED.....2.5 m/min  
 ROPE DIAMETER.....42 mm  
 ROPE DRUM ACTIVE STORAGE.....56 m  
 MOTOR POWER.....18.5 kW  
 MOTOR IP RATING.....56  
 WINCH CLASSIFICATION.....M4  
 WINCH WEIGHT.....3200 kg  
 WINCH OVERALL  
 DIMs (HWD).....(1400x3740x1170mm)



# Heavy Duty Winches



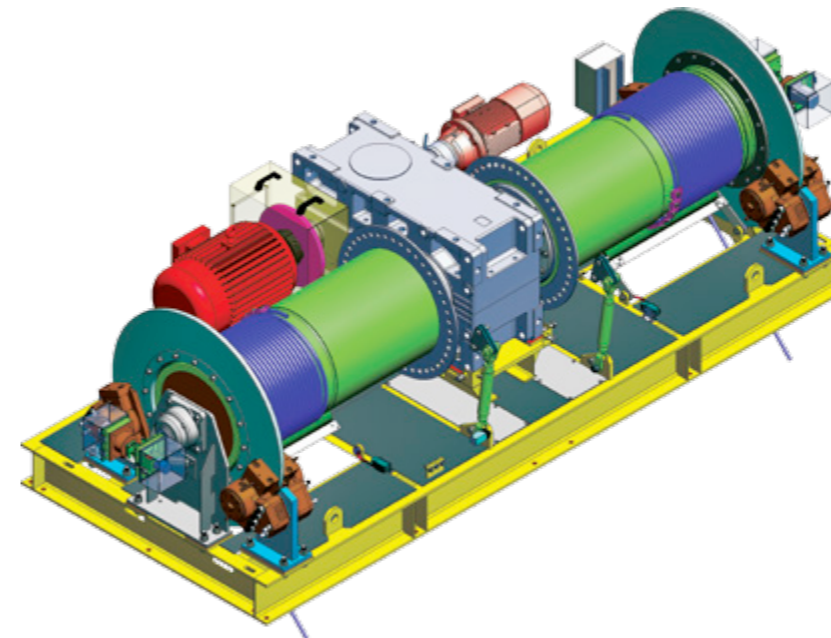
## OPTIONAL FEATURES FOR ALL WINCHES:

- OPTIONAL FEATURES:  
 COMPLIANCE WITH AS1418, FEM, ISO, MHI  
 AUTOMATIC TENSION CONTROL SYSTEM  
 ROTARY LIMIT SWITCH  
 DRUM LOCKING SYSTEM  
 GROOVED DRUM  
 MULTILAYER DRUM  
 ROPE CLEANING SYSTEM  
 ROPE GUIDING SYSTEM

- SLACK ROPE LIMIT  
 OVERLOAD DETECTING SYSTEM  
 HYDRAULIC FAIL SAFE BRAKE CALLIPER  
 BRAKE CONTROL SYSTEM  
 DOL ELECTRICS  
 VVVF ELECTRICS  
 MANUAL BRAKE RELEASE  
 COVERS  
 DIMENSIONS FULLY CUSTOMIZABLE

### 5t TILTING BRIDGE TELESCOPIC CHUTE WINCH

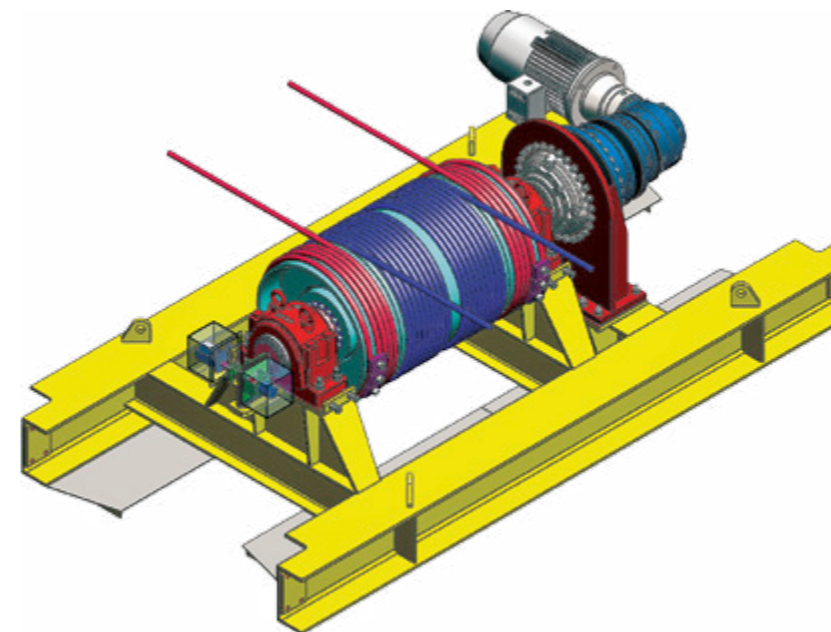
#### PROJECT: HAY POINT



- PROJECT: KESTREL MINE  
 WINCH CAPACITY..... 50 kN  
 LINE SPEED..... 16 m/min  
 ROPE DIAMETER..... 22 mm  
 MOTOR POWER..... 37 kW  
 WINCH CLASSIFICATION..... M5  
 WINCH WEIGHT..... 7500 kg  
 WINCH OVERALL  
 DIMs (HWD)..... (1430x5000x1750mm)

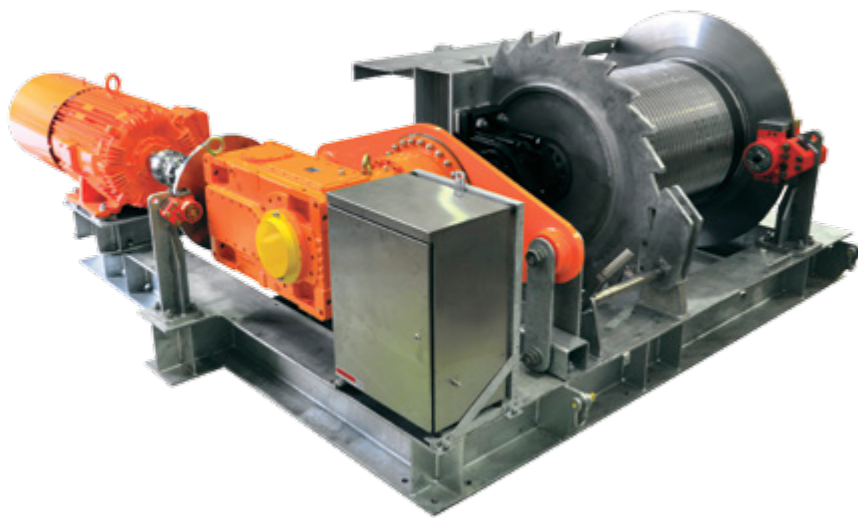
### 18t CONVEYOR LOADING BOOM SHUTTLE WINCH

#### PROJECT: GROOTE EYLANDT EXPANSION PROJECT



- PROJECT: KESTREL MINE  
 WINCH CAPACITY..... 177 kN  
 LINE SPEED..... 10 m/min  
 ROPE DIAMETER..... 28 mm  
 MOTOR POWER..... 15 kW  
 WINCH CLASSIFICATION..... M7  
 WINCH WEIGHT..... 4050 kg  
 WINCH OVERALL  
 DIMs (HWD)..... (1250x3670x1950mm)

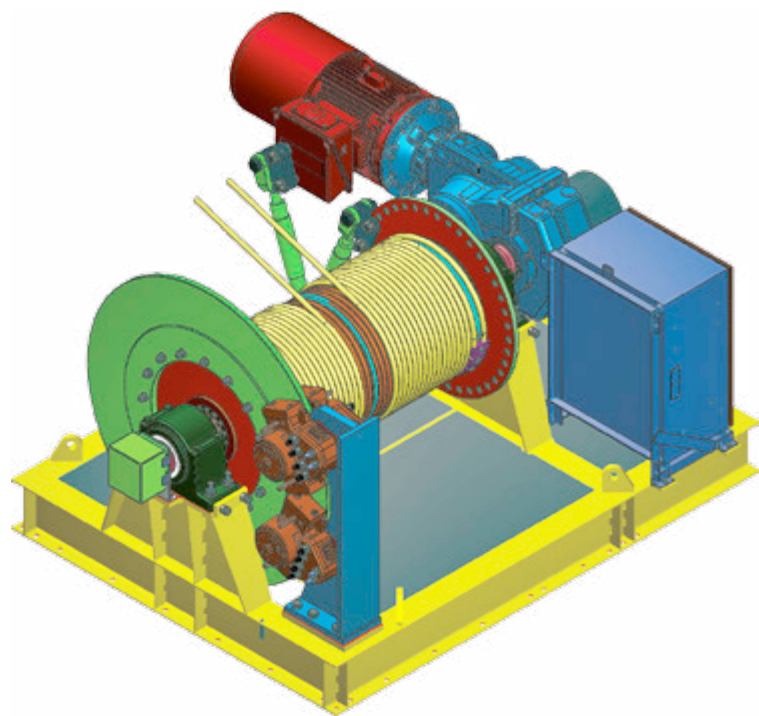
The following section lists a few examples of Eilbeck's highly engineered and high performance winches that were specifically designed to operate at high torques in dusty and corrosive environments. Applications include: Tilting Bridge Hoist System, Stacker Winch, Boom Shuttle Winch and Overland Automatic Conveyor Take Up.



### 10t SHUTTLE WINCH

PROJECT: WESTERN TURNER  
BROCKMAN PROJECT

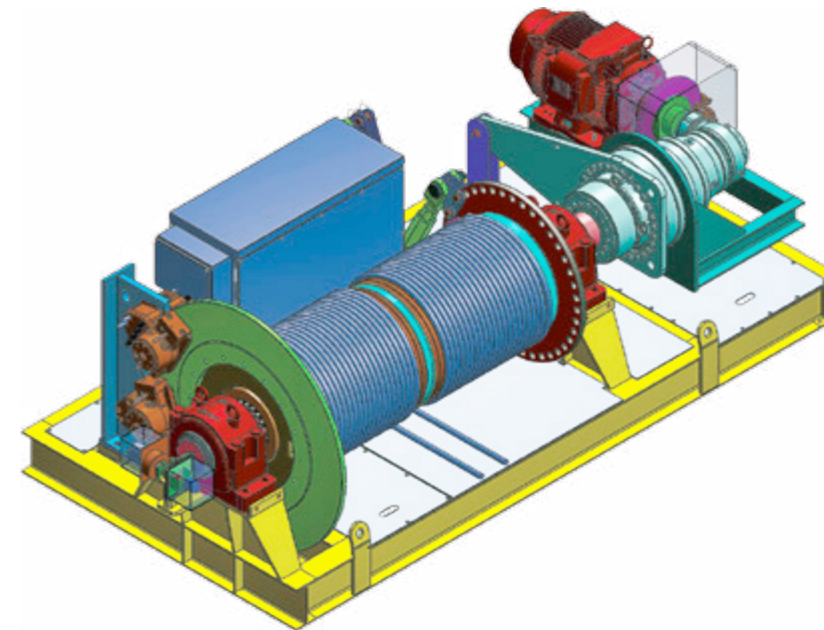
PROJECT: KESTREL MINE  
WINCH CAPACITY..... 98.1 kN  
LINE SPEED..... 60 m/min  
ROPE DIAMETER..... 32 mm  
MOTOR POWER..... 132 kW  
WINCH CLASSIFICATION..... M7  
WINCH WEIGHT..... 6500 kg  
WINCH OVERALL  
DIMs (HWD)..... (1600x4230x4060mm)



### 12t BOOM LUFFING WINCH

PROJECT: ALCOA 190 STACKER  
BOOM LUFFING WINCH

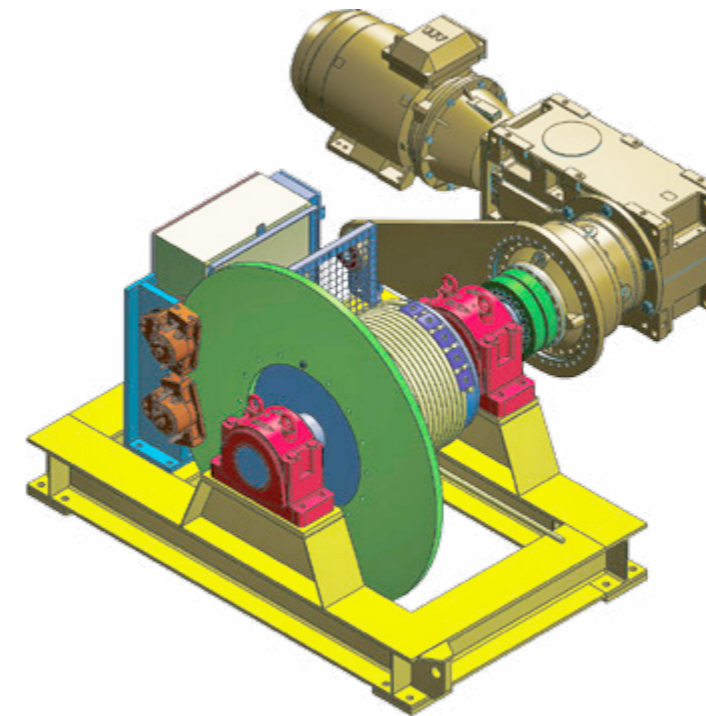
PROJECT: KESTREL MINE  
WINCH CAPACITY..... 115 kN  
LINE SPEED..... 12 m/min  
ROPE DIAMETER..... 25 mm  
MOTOR POWER..... 25.1 m (EACH SIDE)  
MOTOR POWER..... 15 kW  
WINCH CLASSIFICATION..... M6  
WINCH WEIGHT..... 4700 kg  
WINCH OVERALL  
DIMs (HWD)..... (1560x2760x2720mm)



### 15.5t CONVEYOR TILTING BRIDGE HOIST WINCH

PROJECT: GROOTE EYLANT  
EXPANSION PROJECT LANT

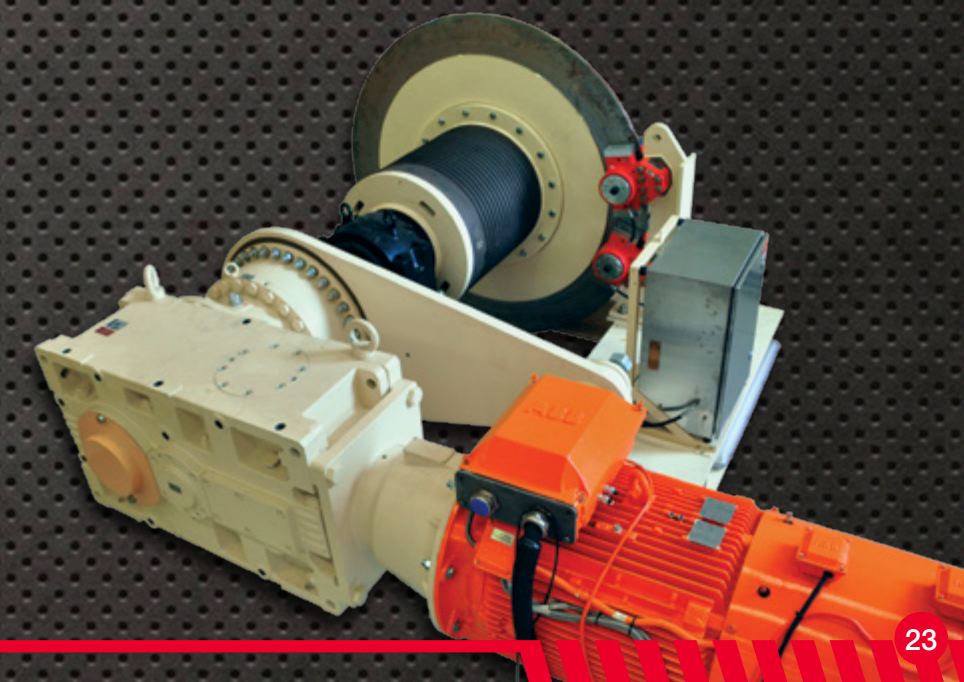
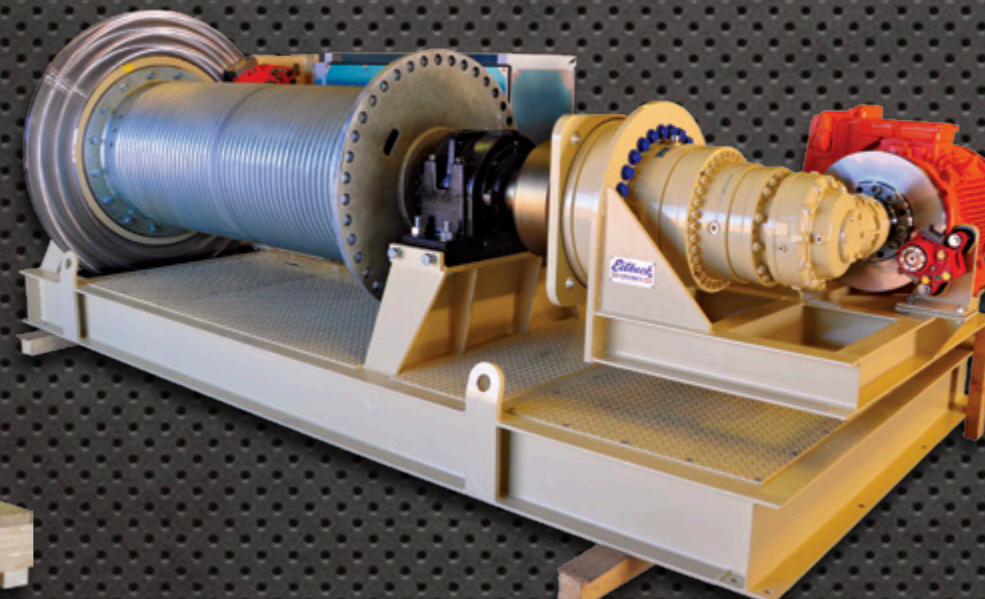
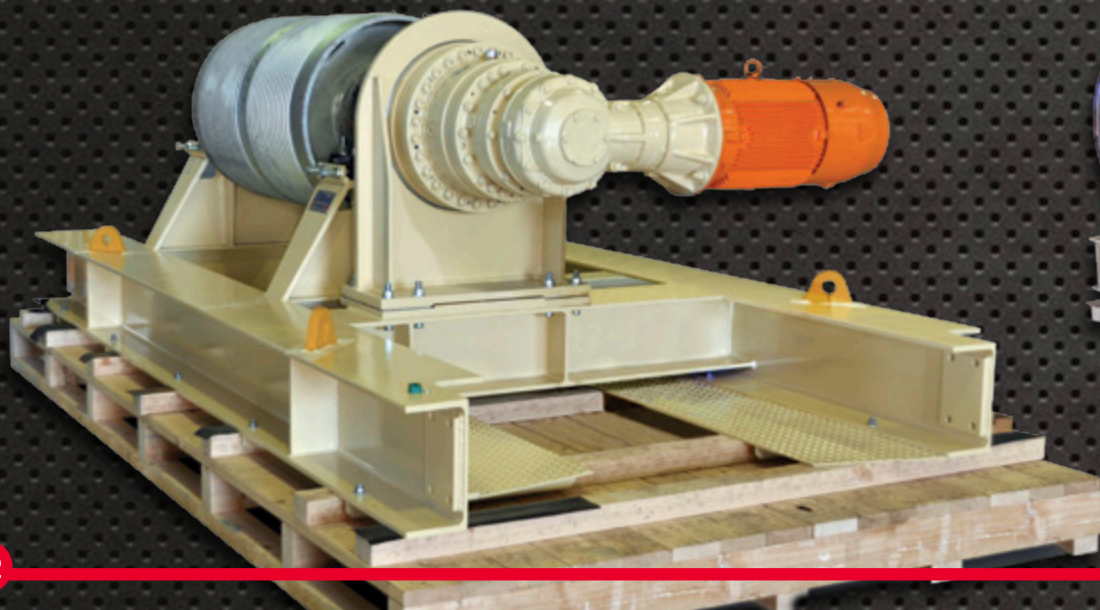
PROJECT: KESTREL MINE  
WINCH CAPACITY..... 152 kN  
LINE SPEED..... 12 m/min  
ROPE DIAMETER..... 30 mm  
MOTOR POWER..... 55 kW  
WINCH CLASSIFICATION..... M7  
WINCH WEIGHT..... 8000 kg  
WINCH OVERALL  
DIMs (HWD)..... (1520x4420x2000mm)



### 33t VERTICAL GRAVITY TAKE UP WINCH

PROJECT: KESTREL MINE  
EXTENTION

WINCH CAPACITY..... 325 kN  
LINE SPEED..... 24 m/min  
ROPE DIAMETER..... 32 mm  
MOTOR POWER..... 110 kW  
WINCH CLASSIFICATION..... M8  
WINCH WEIGHT..... 9150 kg  
WINCH OVERALL  
DIMs (HWD)..... (1900x3230x3320mm)





Eilbeck Cranes - Australia  
 ABN: 22 295 128 214 ACN: 008 973 662  
 T.Eilbeck & Son Pty Ltd T/F The Eilbeck Unit Trust  
[www.eilbeckwinches.com](http://www.eilbeckwinches.com)

**Perth – Manufacturing**  
 28 Jackson Street  
 Bassendean  
 Perth WA 6054  
 Phone: 61 (08) 9279 4800  
 Fax: 61 (08) 9378 3689  
 Email: [perth@eilbeckcranes.com](mailto:perth@eilbeckcranes.com)

**Perth – Manufacturing**  
 11 Yelland Way  
 Bassendean  
 Perth WA 6054  
 Phone: 61 (08) 9379 3724  
 Fax: 61 (08) 9378 3689  
 Email: [perth@eilbeckcranes.com](mailto:perth@eilbeckcranes.com)

**Perth – Service / Testing**  
 14 Yelland Way  
 Bassendean  
 Perth WA 6054  
 Phone: 61 (08) 9379 3724  
 Fax: 61 (08) 9378 3689  
 Email: [perthservice@eilbeckcranes.com](mailto:perthservice@eilbeckcranes.com)

**Tom Price – Service**  
 Lot 27b Mine Road  
 Tom Price  
 QLD 4751  
 Phone: 61 (08) 9279 4800  
 Fax: 61 (08) 9378 3689  
 Email: [tomprice@eilbeckcranes.com](mailto:tomprice@eilbeckcranes.com)

**Karratha – Service**  
 Unit 3 / 4 Crane Circle  
 Karratha  
 WA 6714  
 Phone: 0407 208 025  
 Fax: 61 (08) 9185 4801  
 Email: [karratha@eilbeckcranes.com](mailto:karratha@eilbeckcranes.com)

**Melbourne**  
 Phone: 1800 225 325  
 Email: [melbourne@eilbeckcranes.com](mailto:melbourne@eilbeckcranes.com)

**Sydney – Manufacturing**  
 6 Moorlands Road  
 Ingleburn  
 Sydney NSW 2565  
 Phone: 61 (02) 9829 3700  
 Fax: 61 (02) 9829 3500  
 Email: [sydney@eilbeckcranes.com](mailto:sydney@eilbeckcranes.com)

**Sydney – Service / Winches**  
 53 Lancaster Street  
 Ingleburn  
 Sydney NSW 2565  
 Phone: 61 (02) 9618 1904  
 Fax: 61 (02) 9605 5171  
 Email: [sydney@eilbeckcranes.com](mailto:sydney@eilbeckcranes.com)

**Newcastle – Service**  
 1 / 50 Sandringham Ave  
 Thornton  
 Newcastle NSW 2322  
 Phone: 61 (02) 4966 8022  
 Fax: 61 (02) 4964 2285  
 Email: [newcastle@eilbeckcranes.com](mailto:newcastle@eilbeckcranes.com)

**Mackay – Manufacturing**  
 32 Diesel Drive  
 Paget  
 QLD 4740  
 Phone: 61 (07) 4998 5599  
 Fax: 61 (07) 4998 5756  
 Email: [mackay@eilbeckcranes.com](mailto:mackay@eilbeckcranes.com)

**Brisbane – Service**  
 Unit 3 / 12 Sudbury Street  
 Darra  
 Brisbane QLD 4076  
 Phone: 61 (07) 3376 8255  
 Fax: 61 (07) 3376 1255  
 Email: [brisbane@eilbeckcranes.com](mailto:brisbane@eilbeckcranes.com)

**Adelaide – Service**  
 Unit 3 / 132-134 Port Wakefield Rd  
 Cavan SA 5094  
 Ph: 61 (08) 8162 5150  
 Fax: 61 (08) 8162 5160  
 Email: [adelaide@eilbeckcranes.com](mailto:adelaide@eilbeckcranes.com)

**New Zealand – Baker Cranes**  
[www.bakercranes.co.nz](http://www.bakercranes.co.nz)  
 10 Aerovista Place  
 Wiri Auckland 2150  
 Phone: 64 (9) 277 0736  
 Fax: 64 (9) 277 0735  
 Email: [newzealand@eilbeckcranes.com](mailto:newzealand@eilbeckcranes.com)

**Vietnam – AVC**  
 206 Road Lac Hong Commune  
 Van Lam District  
 Hung Yen Province Hanoi  
 Vietnam  
 Phone: 84 321 3980 410  
 Fax: 84 321 3980 411  
 Email: [vietnam@eilbeckcranes.com](mailto:vietnam@eilbeckcranes.com)

